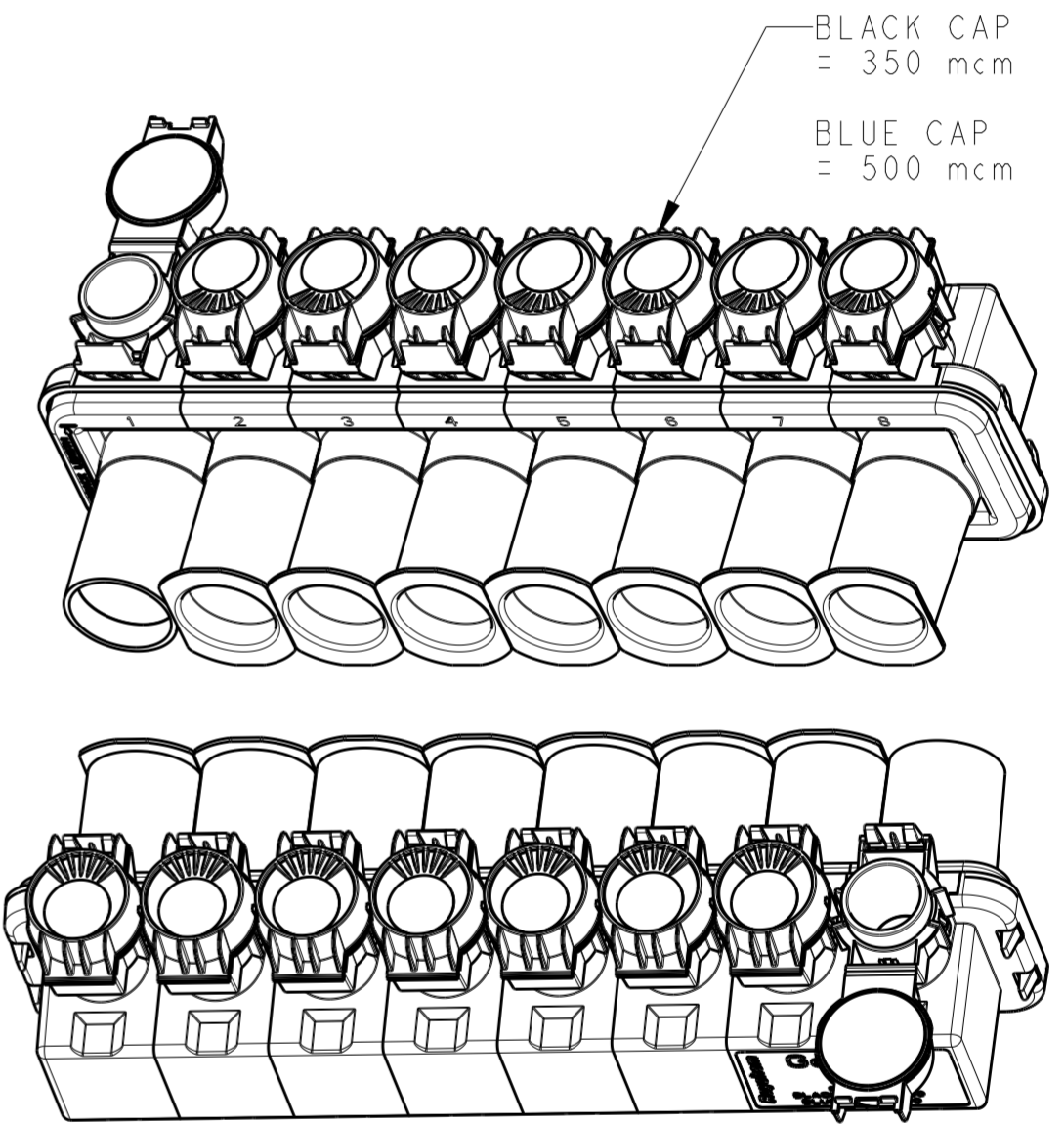
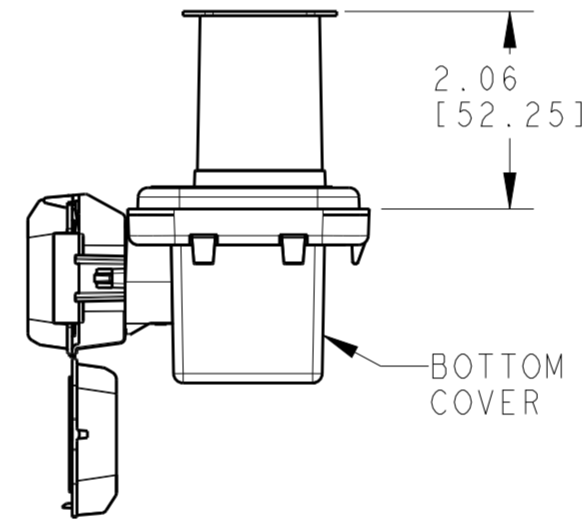
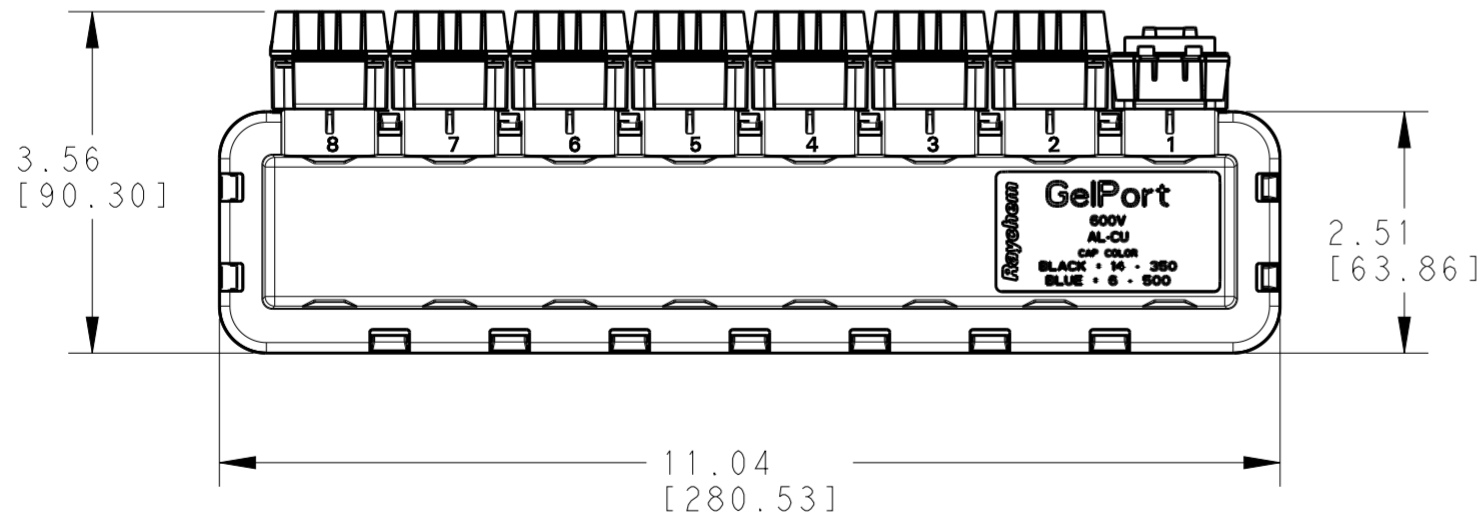
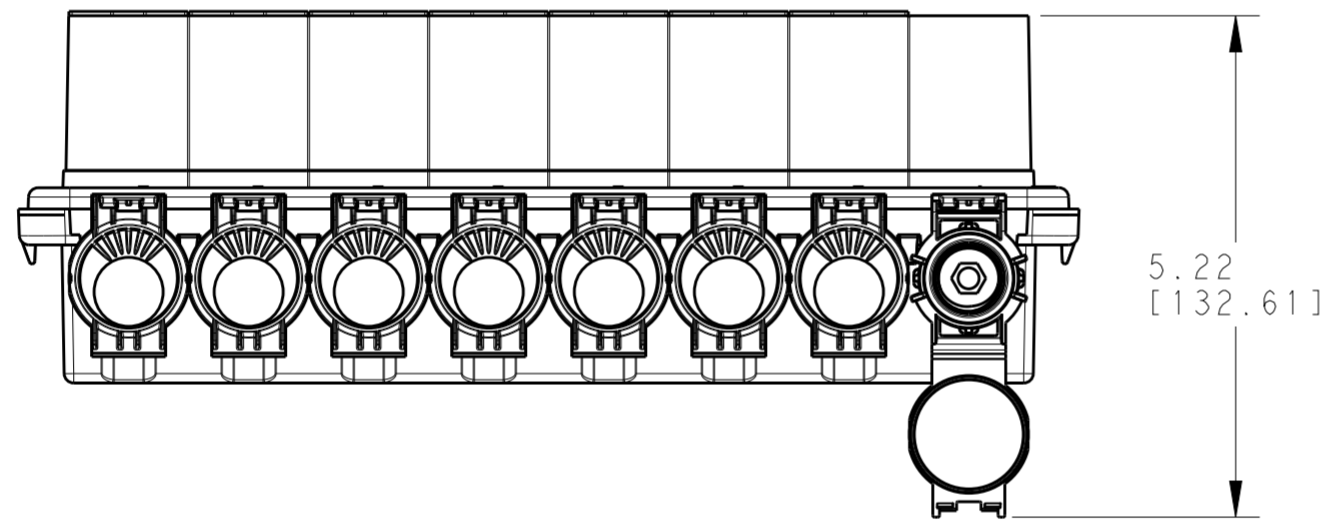
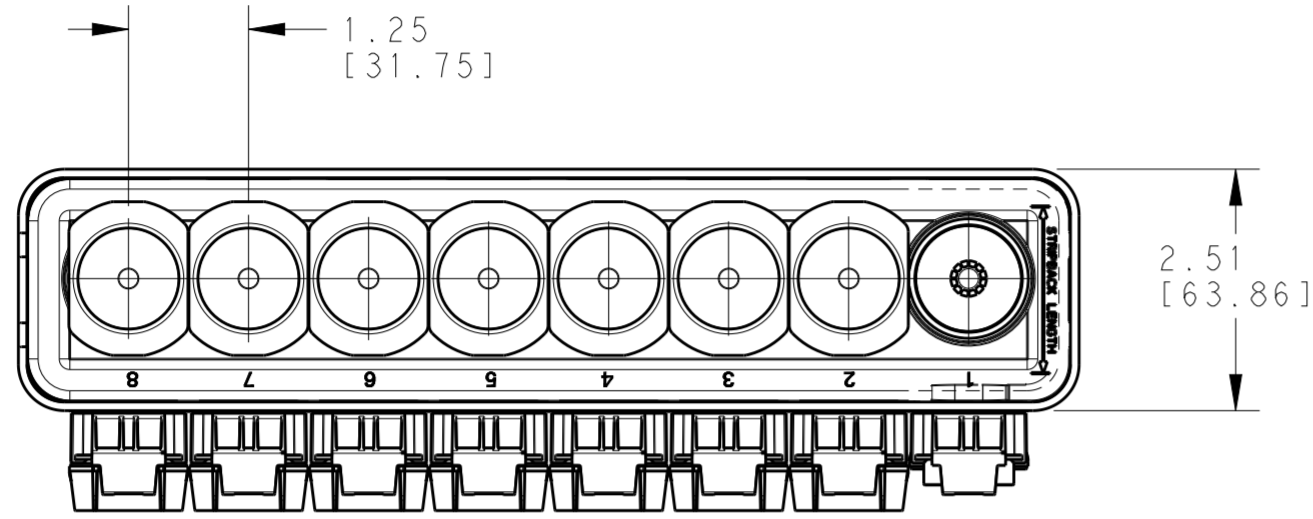


THIS DRAWING IS UNPUBLISHED. RELEASED FOR PUBLICATION 20
 © COPYRIGHT 20 BY - ALL RIGHTS RESERVED.

LOC		DIST		REVISIONS			
P	LTR	DESCRIPTION	DATE	DWN	APVD		
-	-	A	RELEASE PER RTS# 793000	13MAY2013	SW	JN	GP



RAYCHEM P/N	DESCRIPTION	BOTTOM COVER	NO. of PORTS
A36977-000	GPRT-350-8P(B6)	BLACK	8 (350 mcm)
CA1260-000	GPRT-350-8P-C(B6)	CLEAR (C)	8 (350 mcm)
A86865-000	GPRT-350/6P-500/2P(B6)	BLACK	6 (350 mcm) 2 (500 mcm)
CA1262-000	GPRT-350/6P-500/2P-C-B6	CLEAR (C)	6 (350 mcm) 2 (500 mcm)
CU3982-000	GPRT-350/6P-5002PC-ES-B6	CLEAR/EXTRA PLATE (ES)	6 (350 mcm) 2 (500 mcm)

THIS DRAWING IS A CONTROLLED DOCUMENT.

DWN YASHKUMAR 18APR2013	 TE Connectivity	NAME		
CHK J. NEWMAN 18APR2013		GELPORT 8 PORT		
APVD G. PULLIUM 18APR2013		SIZE	CAGE CODE	DRAWING NO
PRODUCT SPEC		A200779	C-SCD-N921	RESTRICTED TO
APPLICATION SPEC	SCALE 1:2		SHEET 1 OF 1	
WEIGHT	CUSTOMER DRAWING		REV A	

DIMENSIONS:	TOLERANCES UNLESS OTHERWISE SPECIFIED:
INCHES [mm]	
0 PLC ±	±
1 PLC ±	±
2 PLC ±	±
3 PLC ±	±
4 PLC ±	±
ANGLES	±
FINISH	