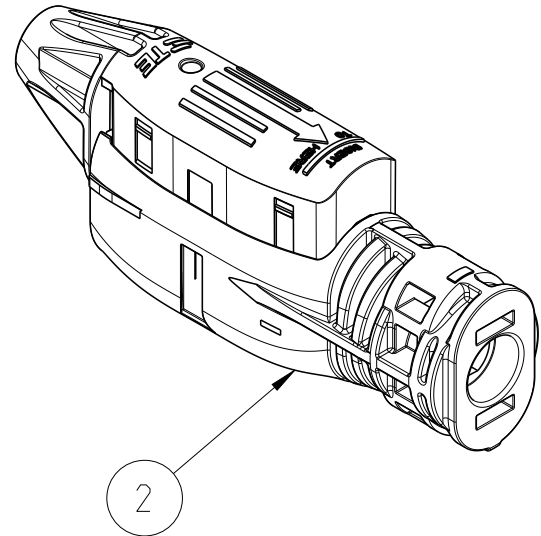
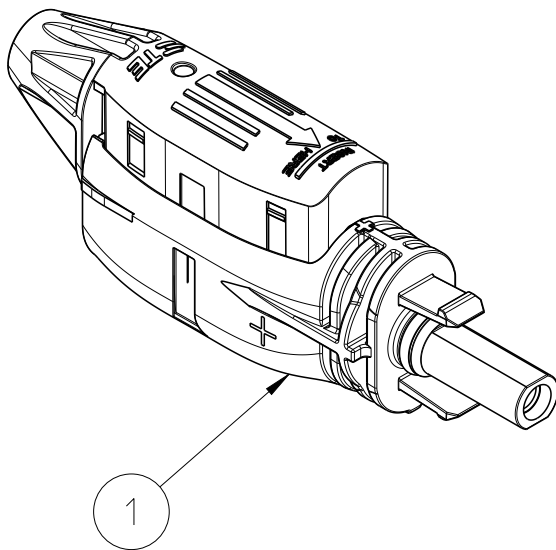


REVISIONS

P	LTR	DESCRIPTION	DATE	DWN	APVD
	1	FIRST DRAWING	19JUL2019	MZ	MZ
	A	RELEASED FOR PRODUCTION	05SEP2019	MZ	MZ
	B	REVISED PER ECR-20-000001	12MAR2020	SR	FD



NOTES:

1) FOR PACKAGING DETAILS REFER TO TE PACKAGING SPEC 107-133104

© 2019 TE Connectivity. All Rights Reserved.

	10	100	SOLARLOK 2.0 PIN CONNECTOR	BLACK	2
	10	100	SOLARLOK 2.0 SOCKET CONNECTOR	BLACK	1
	-7	-1	DESCRIPTION	COLOUR	ITEM NO
	B	B	PART LIST		
QTY REQD PER ASSY					

DIMENSIONS: mm TOLERANCES UNLESS OTHERWISE SPECIFIED: 0 PLC ± 1 PLC ± 2 PLC ± 3 PLC ± 4 PLC ± ANGLES ±	DWN M. ZUCCA	19JUL2019	MATERIAL	-	FINISH	-
	CHK M. ZUCCA	19JUL2019				
	APVD M. ZUCCA	19JUL2019				
	PRODUCT SPEC	-	NAME	SOLARLOK 2.0 CONNECTOR KIT		
	APPLICATION SPEC	-	SIZE	CAGE CODE	DRAWING NO	RESTRICTED TO
WEIGHT	-	A 4	00779	C=2347245		
RESTRICTED CUSTOMER			SCALE	1:1	SHEET	1 OF 1
					REV	B