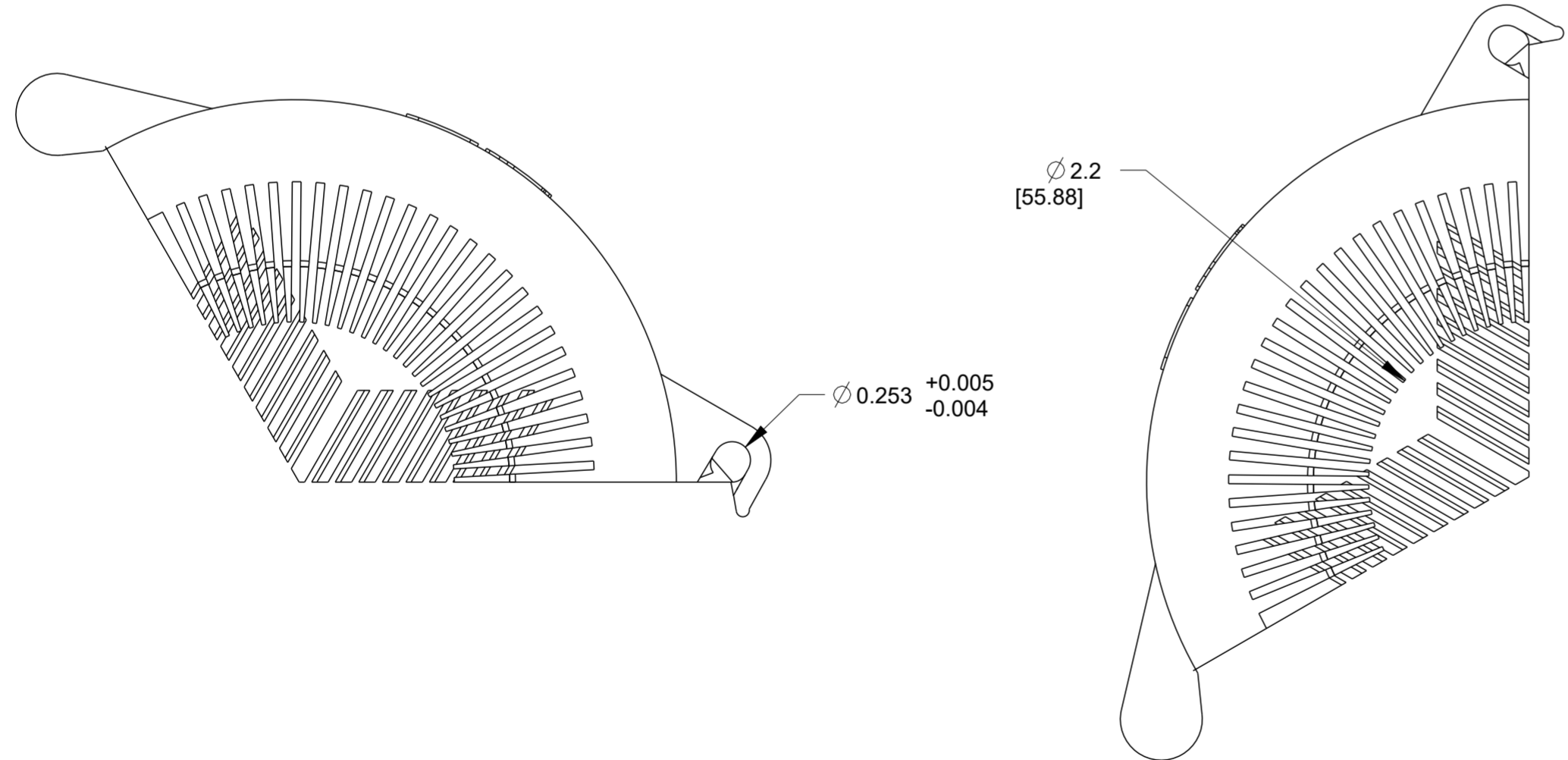
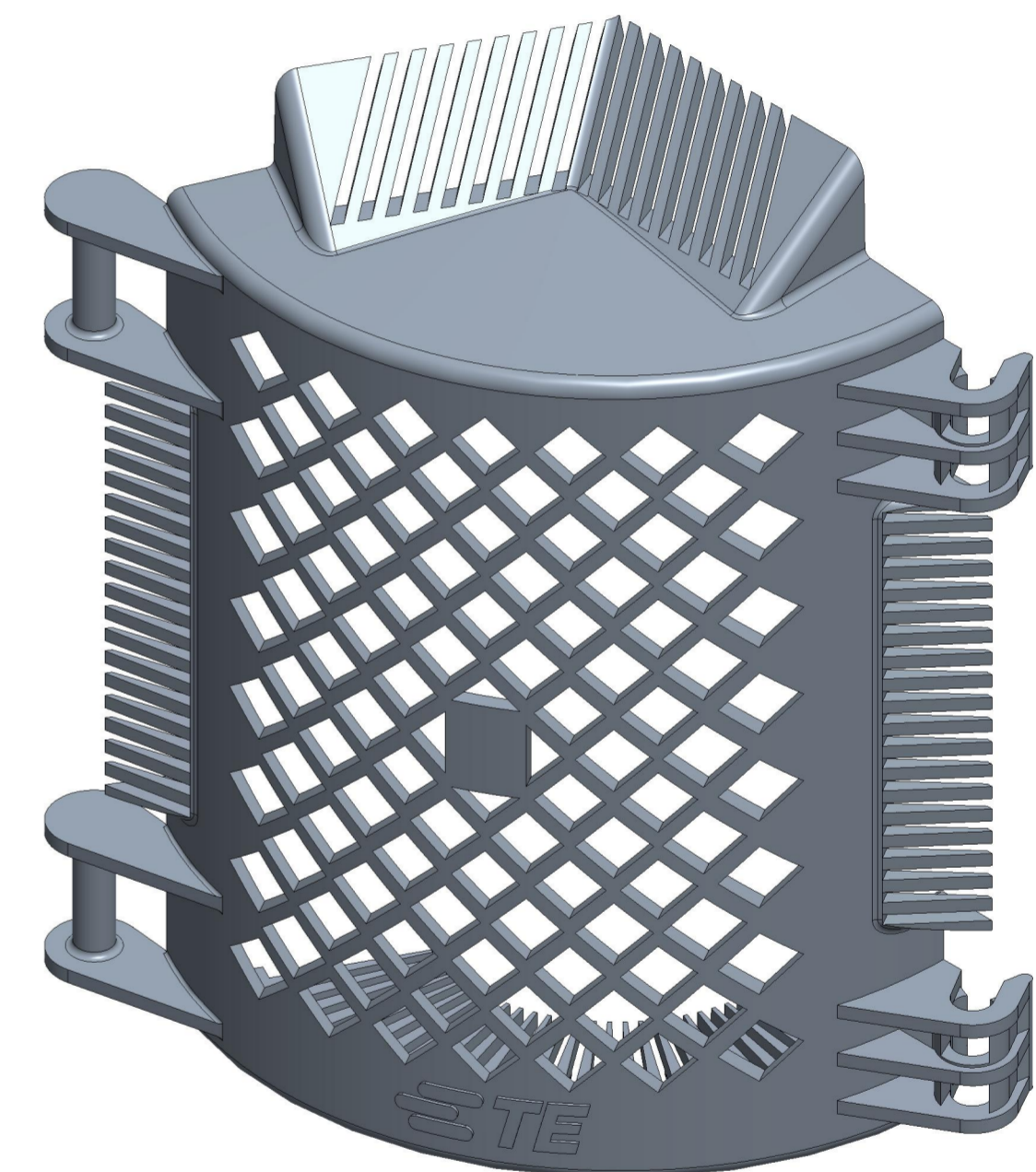
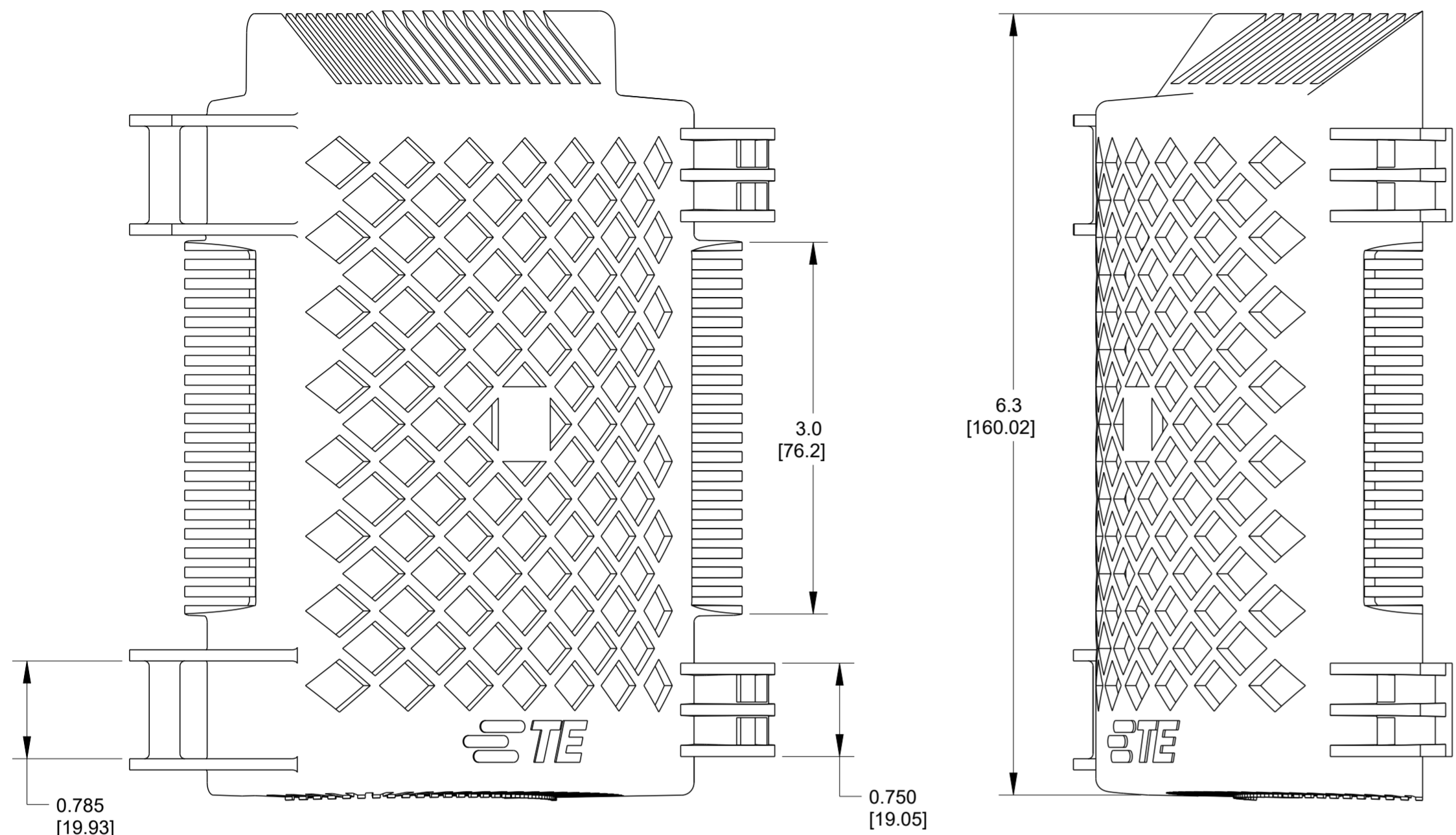


| P | LTR | DESCRIPTION | DATE | DWN | APVD |
|----|-----|-----------------|-----------|-----|------|
| A | | INITIAL RELEASE | 27MAY2020 | AS | LH |
| A1 | | UPDATED NOTES | 27MAY2020 | AS | LH |



| TCPN | DESCRIPTION |
|------------|--------------------|
| 337774-000 | BCAC-G-IC-5D/6(B6) |
| BR3669-000 | BCAC-IC-5D/6(B6) |
| BM5685-000 | BCAC-P-IC-5D/6(B6) |

- NOTES:
- PARTS ARE KITTED 6 ASSEMBLIES PER BOX. EACH ASSEMBLY CONSISTS OF 3 PIECES SNAPPED TOGETHER IN TWO PLACES
PII-56104 ALSO INCLUDED
 - EACH BOX SHALL BE LABELLED WITH DESCRIPTION, LOT NUMBER, PART NUMBER, MANUFACTURING DATE AND QUANTITY.

| | | | | | | | | | | | | | | | | | | |
|--|---|--------------------------------|--|---------------------|---|-------|---|-------|---|-------|---|--------|---|--------|--|------------------|------|---------------|
| THIS DRAWING IS A CONTROLLED DOCUMENT. | | DWN A. SABARAD 27MAY2020 | TE Connectivity | | | | | | | | | | | | | | | |
| DIMENSIONS: INCH(MM) | | CHK S. LIGHT 27MAY2020 | | | | | | | | | | | | | | | | |
| TOLERANCES UNLESS OTHERWISE SPECIFIED: | | APVD L. HILLER 27MAY2020 | NAME BCAC-G-IC-5D/6 BCAC-IC-5D/6 BCAC-P-IC-5D/6 | | | | | | | | | | | | | | | |
| <table border="1"> <tr><td>0 PLC</td><td>±</td></tr> <tr><td>1 PLC</td><td>±</td></tr> <tr><td>2 PLC</td><td>±</td></tr> <tr><td>3 PLC</td><td>±</td></tr> <tr><td>4 PLC</td><td>±</td></tr> <tr><td>ANGLES</td><td>±</td></tr> <tr><td>FINISH</td><td></td></tr> </table> | | 0 PLC | ± | 1 PLC | ± | 2 PLC | ± | 3 PLC | ± | 4 PLC | ± | ANGLES | ± | FINISH | | APPLICATION SPEC | SIZE | RESTRICTED TO |
| 0 PLC | ± | | | | | | | | | | | | | | | | | |
| 1 PLC | ± | | | | | | | | | | | | | | | | | |
| 2 PLC | ± | | | | | | | | | | | | | | | | | |
| 3 PLC | ± | | | | | | | | | | | | | | | | | |
| 4 PLC | ± | | | | | | | | | | | | | | | | | |
| ANGLES | ± | | | | | | | | | | | | | | | | | |
| FINISH | | | | | | | | | | | | | | | | | | |
| MATERIAL | | WEIGHT | A2 00779 | - | | | | | | | | | | | | | | |
| | | CUSTOMER DRAWING | SCALE NTS | SHEET 1 OF 1 REV A1 | | | | | | | | | | | | | | |