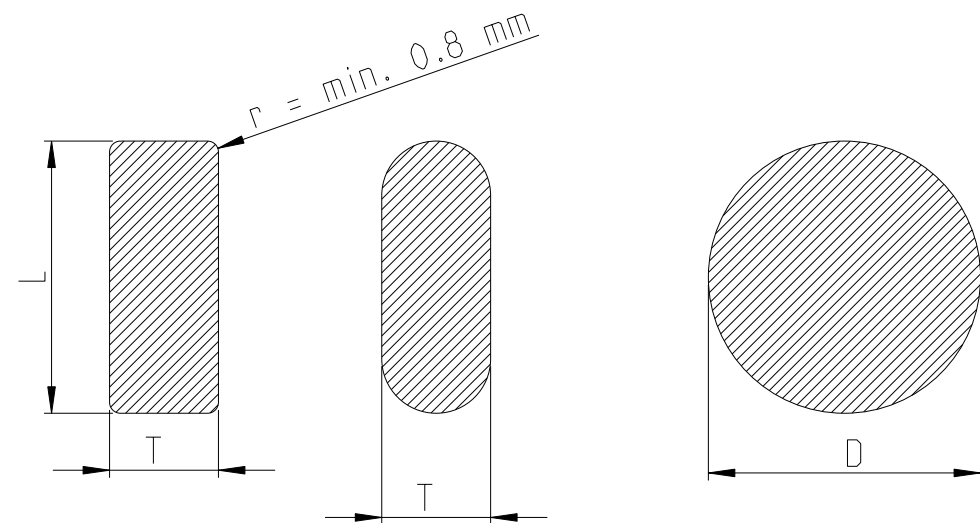
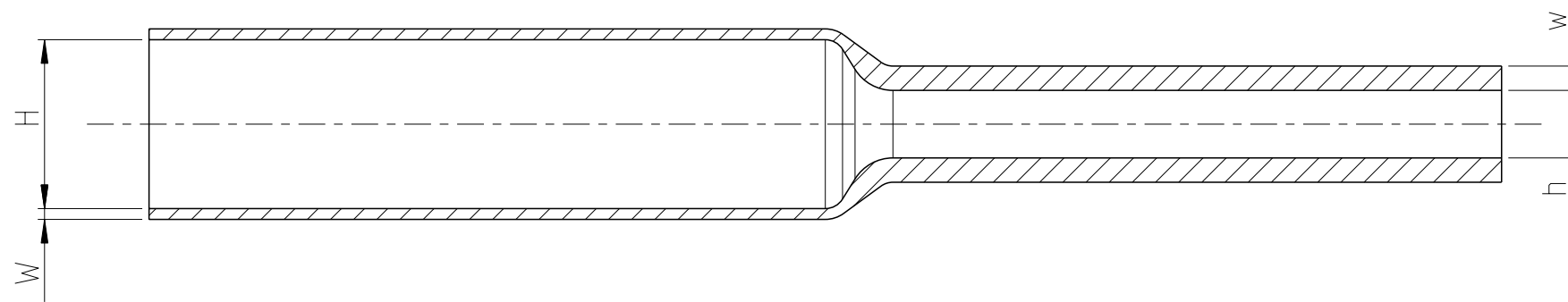


REVISIONS

P	LTR	DESCRIPTION	DATE	DWN	APVD
	A	INITIAL RELEASE	20FEB2020	AS	LH



Notes

1. Dimensions in mm
  2. Max. longitudinal change after free recovery  $\pm 5\%$
  3. Maximum Eccentricity  $35\%$   
Eccentricity fully recovered max.  $15\%$
  4. See product datasheet EPP-0607 for all other information
- $W, H = \text{as supplied}$   
 $w, h = \text{after free recovery}$

Ordering Description	Product Selection				Ordering Information				
	Rectangular bars L+T (mm)		Round bars D (mm)		Inside diameter (mm)		Wall thickness (mm)		UOM: roll of length (m)
	min.	max.	min.	max.	H min.	h max.	W min.	w max.	
BBIT-25/10-A/U-4	17	28	11	20	25	10	1.6	3.6	25
BBIT-40/16-A/U-4	28	45	18	32	40	16	1.6	3.6	20
BBIT-65/25-A/U-4	44	69	28	47	65	25	1.6	3.6	15
BBIT-100/40-A/U-4	69	102	44	72	100	40	1.6	3.6	15
BBIT-150/60-A/U-4	102	148	65	105	150	60	1.6	3.6	15
BBIT-175/80-A/U-4	133	196	85	125	175	80	1.6	3.6	10

THIS DRAWING IS A CONTROLLED DOCUMENT.		DWN A. SABARAD 20FEB2020		
		CHK S. LIGHT 20FEB2020		
DIMENSIONS: mm		APVD L. HILLER 20FEB2020	NAME BBIT TUBING	
		PRODUCT SPEC -		SIZE A3
TOLERANCES UNLESS OTHERWISE SPECIFIED: 0 PLC $\pm$ 1 PLC $\pm 0.5$ 2 PLC $\pm 0.13$ 3 PLC $\pm 0.013$ 4 PLC $\pm 0.0001$ ANGLES $\pm$		APPLICATION SPEC -		
MATERIAL -		FINISH -		DRAWING NO E00000812
		WEIGHT -		RESTRICTED TO -
CUSTOMER DRAWING			SCALE NTS	SHEET 1 OF 1
			REV A	