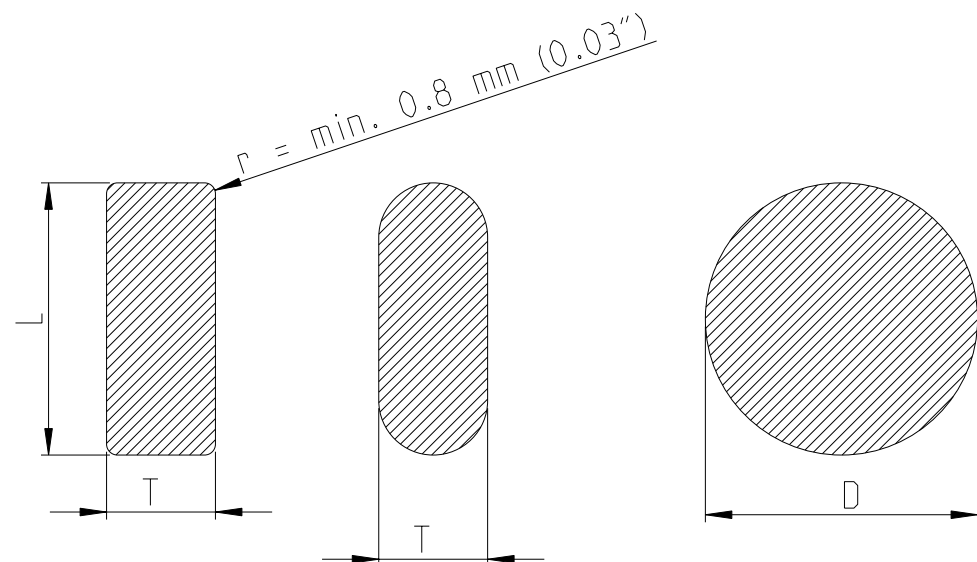


P	LTR	DESCRIPTION	DATE	DWN	APVD
	A	INITIAL RELEASE	26FEB2020	AS	LH



Notes

- Dimensions in mm
 - Max. longitudinal change after free recovery +5%, -10%
 - Maximum Eccentricity as supplied 40%
Eccentricity fully recovered max. $\leq 75/30$ 10% $\geq 100/40$ 15%
 - See product datasheet EPP-0608 for all other information
- W, H = as supplied
w, h = after free recovery

Ordering Description	Product Selection				Ordering Information				
	Rectangular bars L+T mm (in)		Round bars D mm (in)		Inside diameter mm (in)		Wall thickness mm (in)		UOM: roll of length (m (ft))
	min.	max.	min	max	H min.	h max.	W nom	w min	
BPTM-15/6-A/U-4	12 (0.47)	18 (0.71)	6.5 (0.25)	12 (0.47)	15 (0.59)	6 (0.24)	1.1 (0.04)	1.90 (0.07)	30 (98.43)
BPTM-30/12-A/U-4	22 (0.87)	38 (1.50)	13.5 (0.53)	25 (0.98)	30 (1.18)	12 (0.47)	1.1 (0.04)	2.20 (0.09)	30 (98.43)
BPTM-50/20-A/U-4	36 (1.42)	65 (2.56)	22 (0.87)	43 (1.69)	50 (1.97)	20 (0.79)	1.1 (0.04)	2.35 (0.09)	30 (98.43)
BPTM-75/30-A/U-4	55 (2.17)	95 (3.74)	33 (1.30)	63 (2.48)	75 (2.95)	30 (1.18)	1.1 (0.04)	2.35 (0.09)	20 (65.62)
BPTM-100/40-A/U-4	70 (2.76)	130 (5.12)	44 (1.73)	86 (3.39)	100 (3.94)	40 (1.57)	1.1 (0.04)	2.35 (0.09)	25 (82.02)
BPTM-120/50-A/U-4	90 (3.44)	165 (6.50)	55 (2.17)	105 (4.13)	120 (4.72)	50 (1.97)	1.3 (0.05)	2.80 (0.11)	25 (82.02)
BPTM-175/70-A/U-4	125 (4.92)	235 (9.25)	80 (3.15)	150 (5.91)	175 (6.88)	70 (2.76)	1.3 (0.05)	2.80 (0.11)	15 (49.21)
BPTM-205/110-A/U-4	200 (7.87)	276 (10.87)	127 (5.00)	190 (7.48)	205 (8.07)	110 (4.33)	1.3 (0.05)	2.80 (0.11)	10 (32.81)
BPTM-235/130-A/U-4	235 (9.25)	315 (12.40)	150 (5.91)	220 (8.66)	235 (9.25)	130 (5.12)	1.5 (0.06)	3.10 (0.12)	20 (65.62)

THIS DRAWING IS A CONTROLLED DOCUMENT.

DIMENSIONS: mm	TOLERANCES UNLESS OTHERWISE SPECIFIED:	DWN A. SABARAD 26FEB2020	
	0 PLC \pm 1 PLC ± 0.5 2 PLC ± 0.13 3 PLC ± 0.013 4 PLC ± 0.0001 ANGLES \pm	CHK S. LIGHT 26FEB2020	
		APVD L. HILLER 26FEB2020	
		PRODUCT SPEC	
MATERIAL	FINISH	NAME BPTM TUBING	RESTRICTED TO
-	-	APPLICATION SPEC	SIZE A3
-	-	WEIGHT	CAGE CODE 00779
		CUSTOMER DRAWING	DRAWING NO E00000813
			SCALE NTS
			SHEET 1 OF 1
			REV A