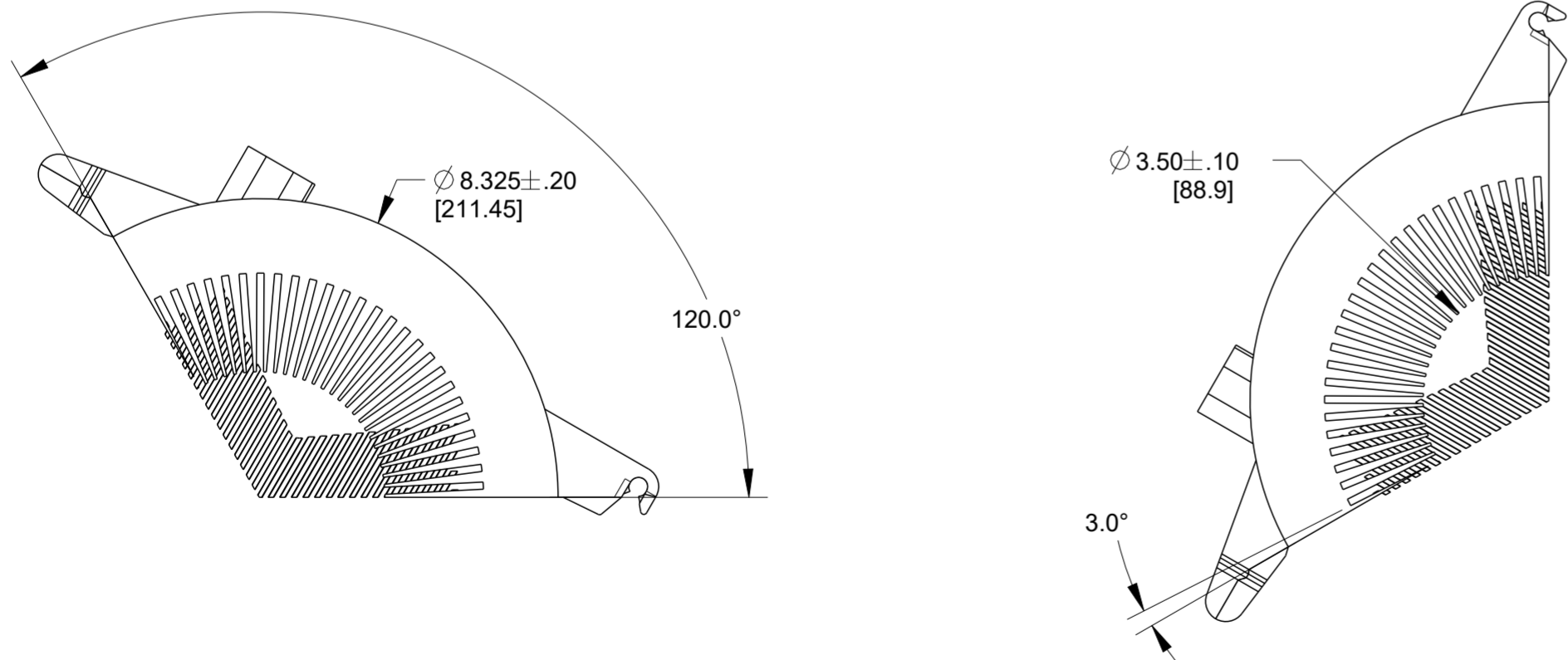
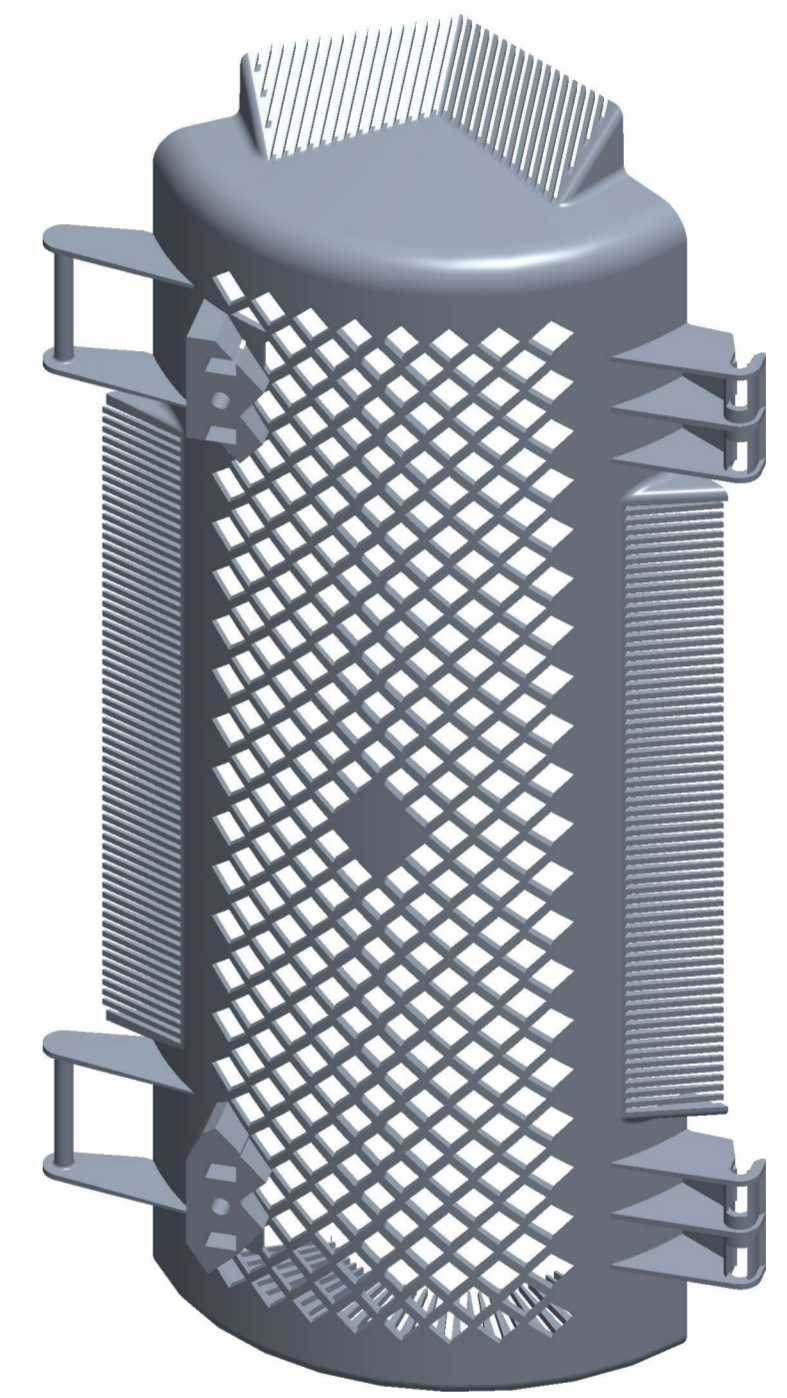
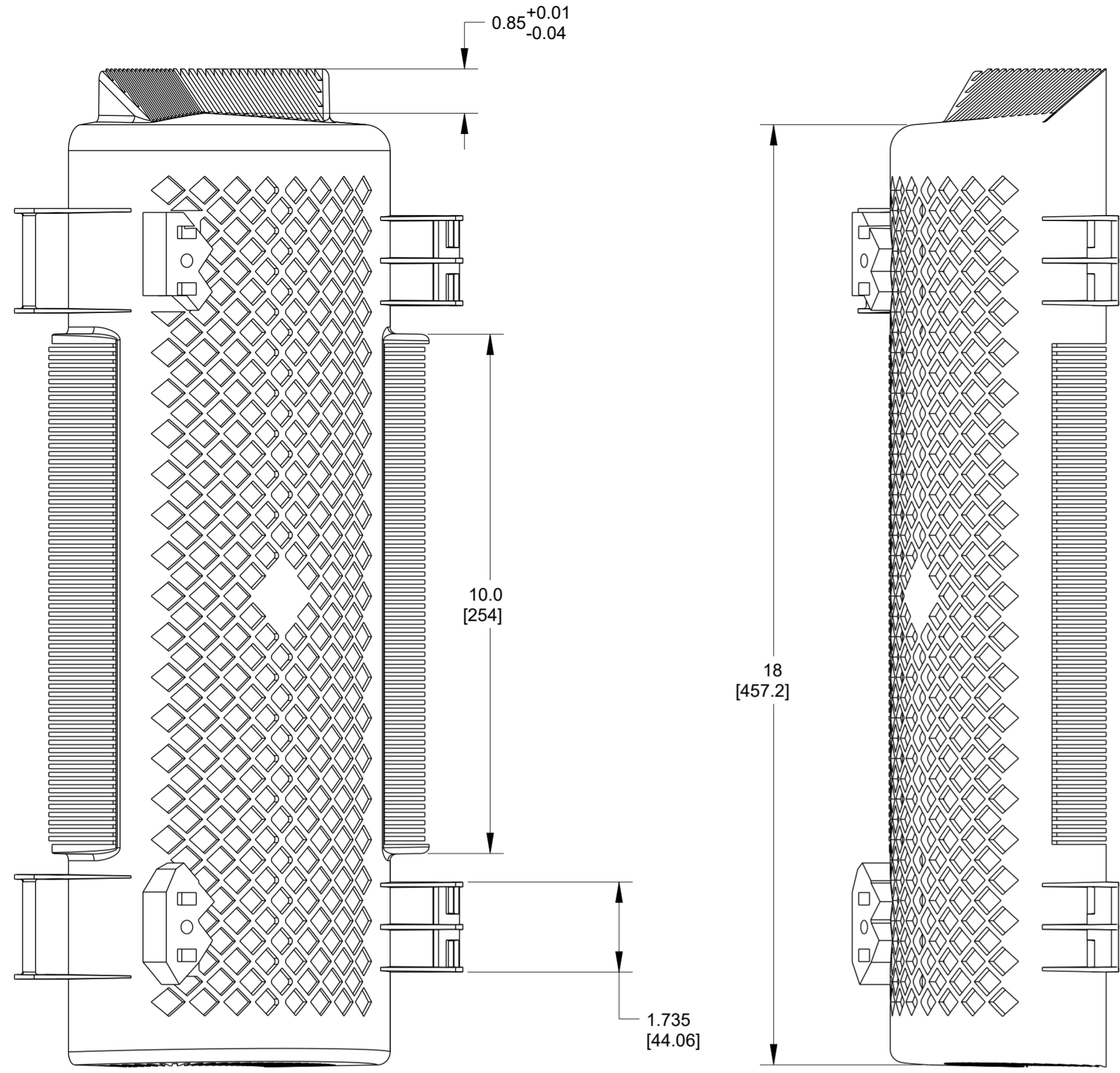


REVISIONS					
P	LTR	DESCRIPTION	DATE	DWN	APVD
A		INITIAL RELEASE	19MAY2020	AS	LH



- NOTES:
- PARTS ARE KITTED 6 ASSEMBLIES PER BOX. EACH ASSEMBLY CONSISTS OF 3 PIECES SNAPPED TOGETHER IN TWO PLACES. PII-56104 ALSO INCLUDED.
  - EACH BOX SHALL BE LABELLED WITH DESCRIPTION, LOT NUMBER, PART NUMBER, MANUFACTURING DATE AND QUANTITY.

TCPN	DESCRIPTION
CR3053-000	BCAC-G-IC-8D/18(B6)
CR3052-000	BCAC-IC-8D/18(B6)

THIS DRAWING IS A CONTROLLED DOCUMENT.

DWN	19MAY2020		NAME		
CHK	19MAY2020		BCAC-G-IC-8D/18		
APVD	19MAY2020		BCAC-IC-8D/18		
PRODUCT SPEC					
APPLICATION SPEC		SIZE	CAGE CODE	DRAWING NO	RESTRICTED TO
WEIGHT		A2	00779	E00000879	
CUSTOMER DRAWING		SCALE	NTS	SHEET	1 OF 1
				REV	A