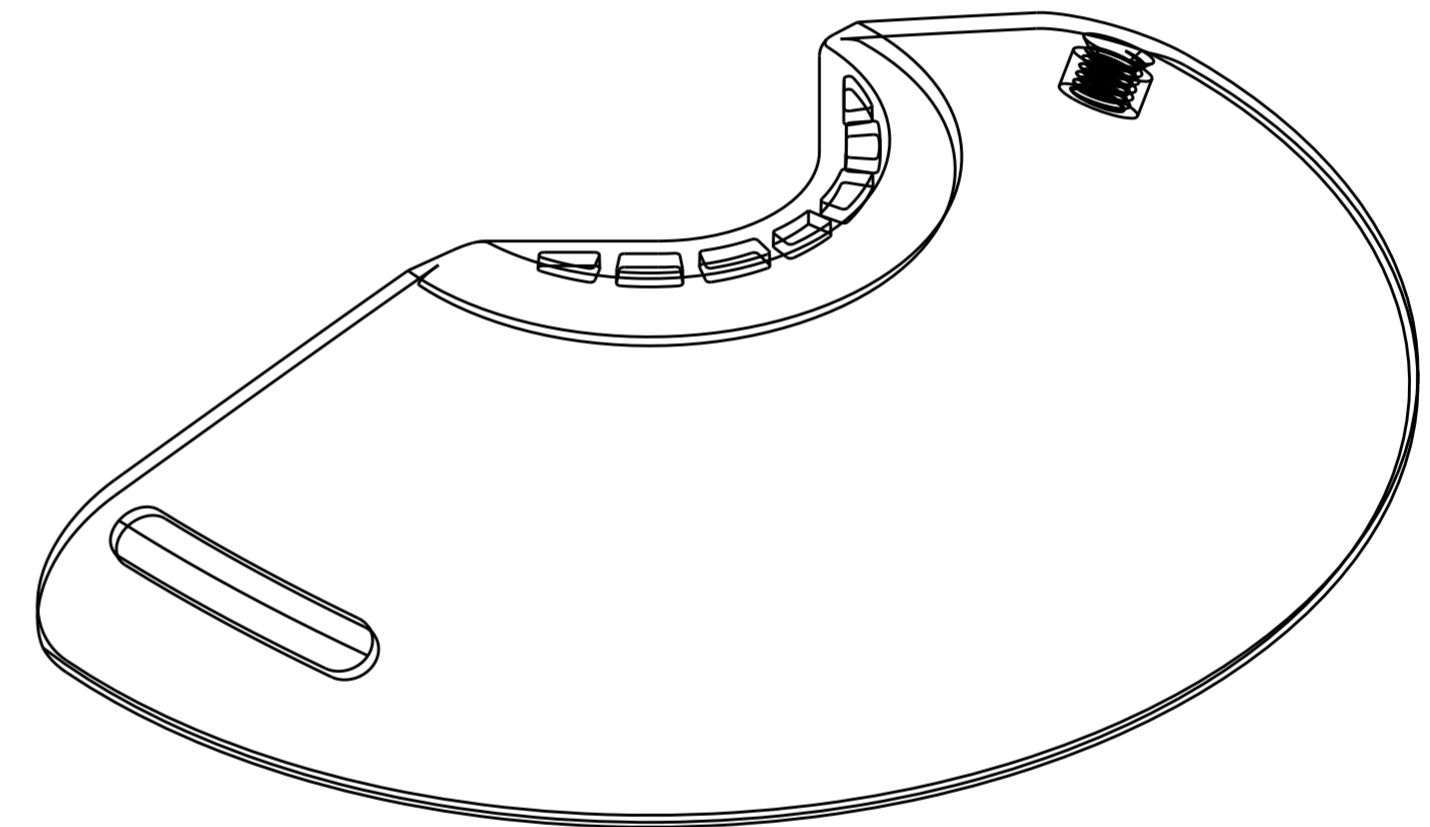
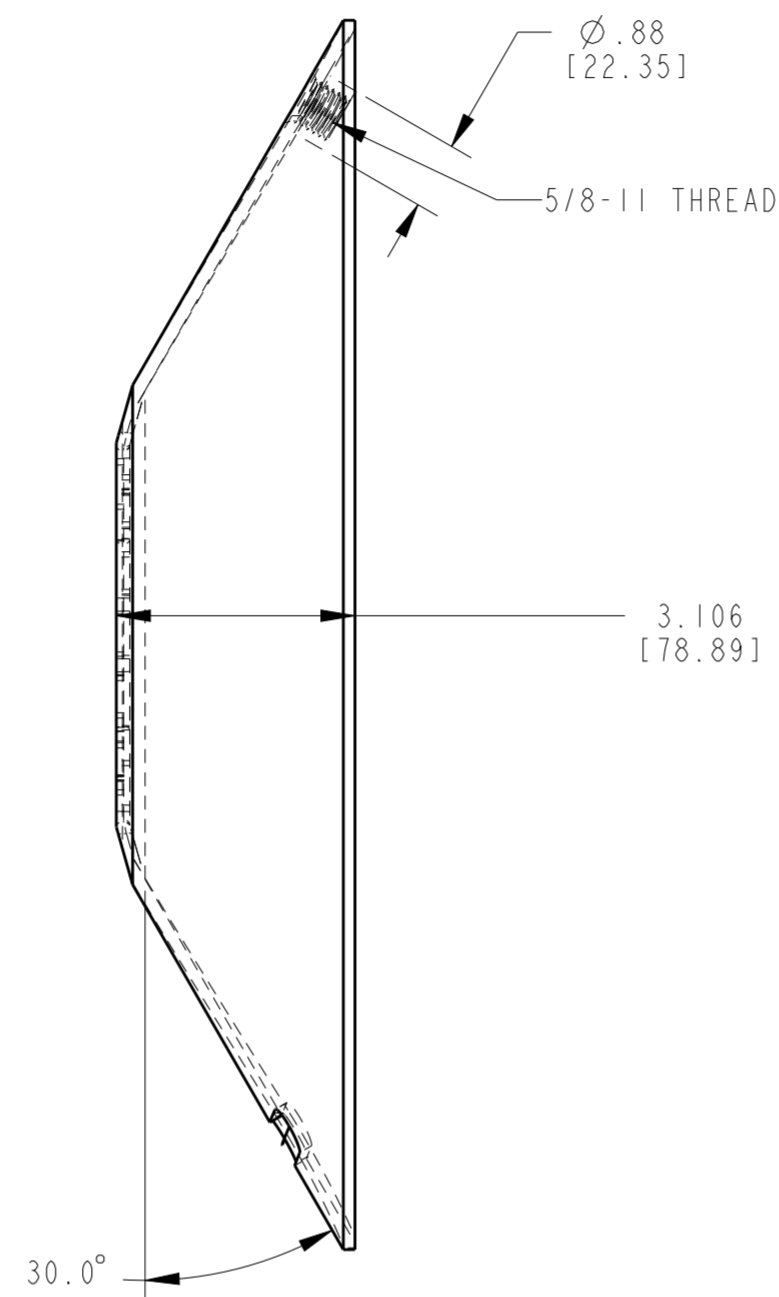
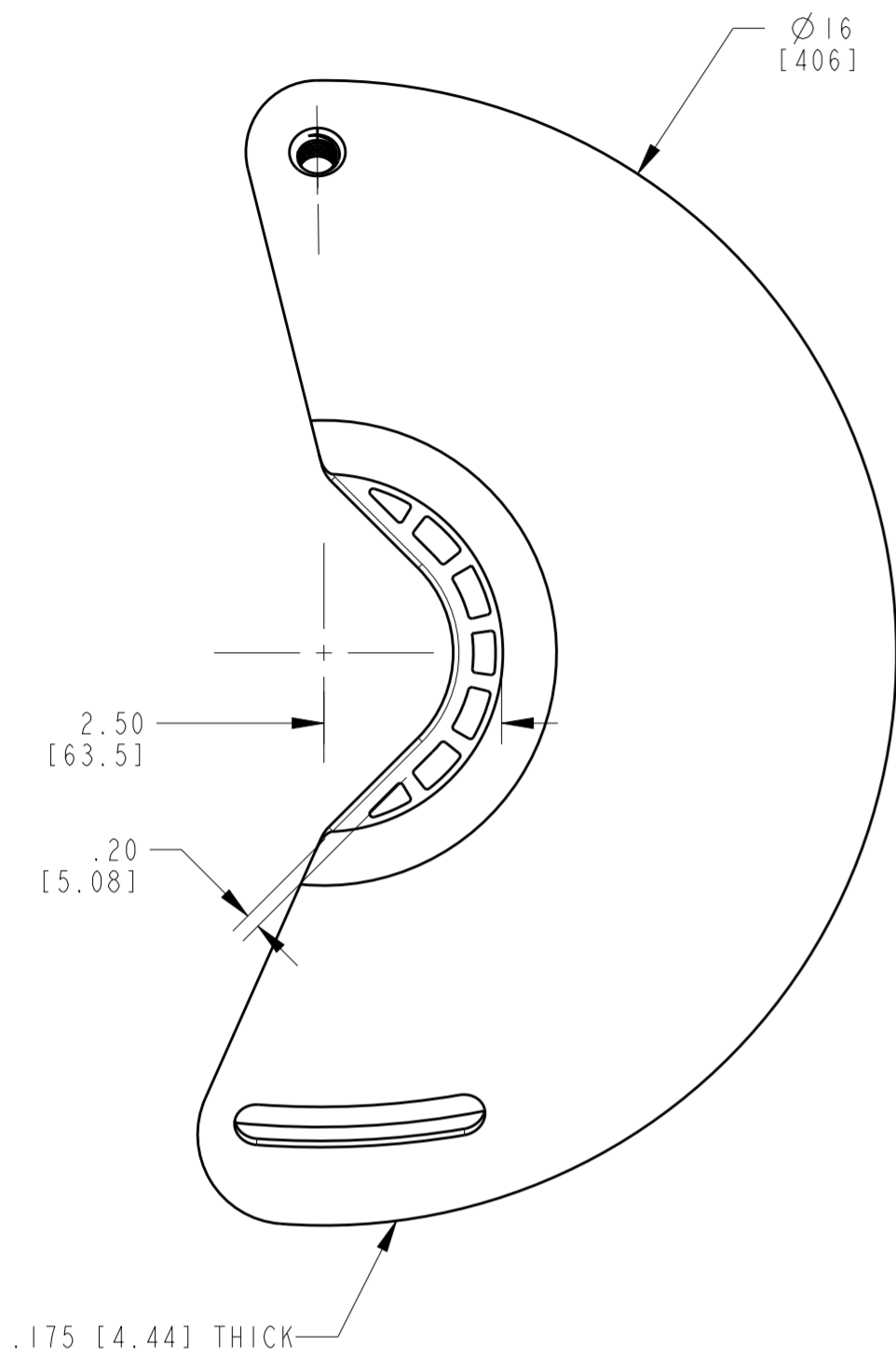



P	LTR	DESCRIPTION	DATE	DWN	APVD
A		INITIAL RELEASE	19MAY2020	AS	LH



NOTES:

- PARTS SHALL BE KITTED 6 HALVES PER BOX TO MAKE 3 COMPLETE ASSEMBLIES.
- PARTS SHALL BE KITTED WITH 6 BOLTS, PN 244821-000 AND P11-70271.
- EACH BOX SHALL BE LABELLED WITH DESCRIPTION, LOT NUMBER, PART NUMBER, MANUFACTURING DATE AND QUANTITY.

TCPN	DESCRIPTION
EN0984-000	BISG-100/400(B3)
EN0985-000	BISG-G-100/400(B3)
EP8393-000	BISG-P-100/400(B3)

THIS DRAWING IS A CONTROLLED DOCUMENT.		DWN A. SABARAD 19MAY2020	 TE Connectivity															
DIMENSIONS: INCH(MM)		CHK S. LIGHT 19MAY2020																
TOLERANCES UNLESS OTHERWISE SPECIFIED:		APVD L. HILLER 19MAY2020	NAME BISG-100/400 BISG-G-100/400 BISG-P-100/400															
<table border="1"> <tr><td>0 PLC</td><td>±</td></tr> <tr><td>1 PLC</td><td>±</td></tr> <tr><td>2 PLC</td><td>±</td></tr> <tr><td>3 PLC</td><td>±</td></tr> <tr><td>4 PLC</td><td>±</td></tr> <tr><td>ANGLES</td><td>±</td></tr> <tr><td>FINISH</td><td></td></tr> </table>		0 PLC	±	1 PLC	±	2 PLC	±	3 PLC	±	4 PLC	±	ANGLES	±	FINISH		PRODUCT SPEC	RESTRICTED TO	
0 PLC	±																	
1 PLC	±																	
2 PLC	±																	
3 PLC	±																	
4 PLC	±																	
ANGLES	±																	
FINISH																		
MATERIAL		APPLICATION SPEC	SIZE A2	CAGE CODE 00779														
		WEIGHT	DRAWING NO E00000874	SCALE 5:1														
		CUSTOMER DRAWING	SHEET 1	REV A1														