

THIS DRAWING IS UNPUBLISHED.  
DIFFUSION RESTREINTE

RELEASED FOR PUBLICATION  
LIBRE A LA DIFFUSION

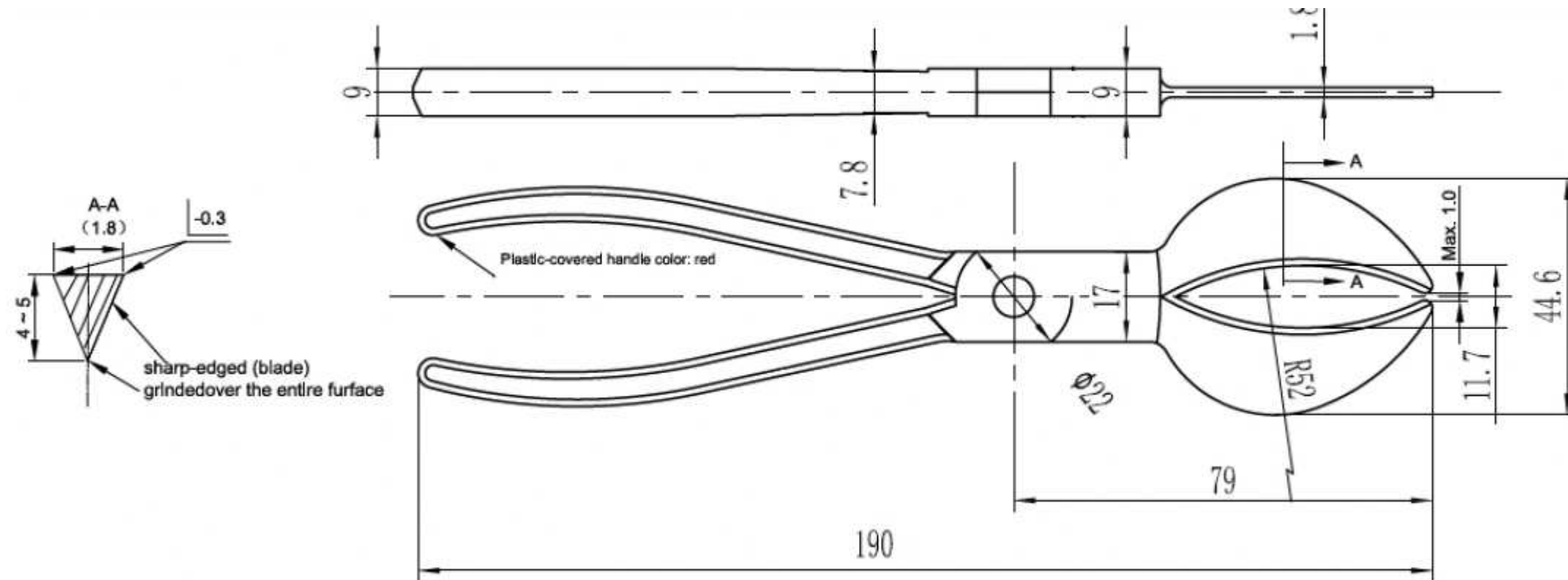
2011

© COPYRIGHT 2011 BY -

ALL RIGHTS RESERVED.  
TOUS DROITS RESERVES

REVISIONS


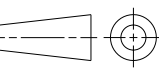
P	LTR REV	DESCRIPTION MODIFICATIONS	DATE	DWN DESS.	APVD APP.
	I	CREATION	05DEC2023	BM	PM



EXRM-1004	2476965-1
DESCRIPTION	PART NUMBER

- 1- NO ANY BURR AND EDGE EXCEPT FOR THE BLADE
- 2- MATERIAL: HARD STEEL ALLOY
- 3- FINISH: NICKEL PLATED

TOLERANCES UNLESS  
OTHERWISE SPECIFIED  
TOLERANCES NON SPECIFIEES: -

THIS DRAWING IS A CONTROLLED DOCUMENT. CE PLAN EST UN DOCUMENT CONTROLE PAR TYCO ELECTRONICS CORPORATION IL EST SUSCEPTIBLE D'ETRE REVISE. POUR OBTENIR LA DERNIERE REVISION, CONTACTER LE SERVICE TECHNIQUE DE TYCO ELECTRONICS SIMEL SAS, 21220 GEVREY-CHAMBERTIN, FRANCE.		DWN/DESSINE B. MILLOT 05DEC2023	 <b>TE Connectivity</b>	
DIMENSIONS: mm		CHK/VERIFIE -		
		TOLERANCES UNLESS OTHERWISE SPECIFIED: TOLERANCES NON SPECIFIEES (SUIV NB DE DECIMALES): 0 PLC/DEC: ±0 1 PLC/DEC: ±0 2 PLC/DEC: ±0 3 PLC/DEC: ±0 4 PLC/DEC: ±0 ANGLES ±		NAME TITRE EXRM-1004 STRIPPING PLIER FOR PAPER CABLE
MATERIAL MATIERE SEE NOTES		APVD/APPROUVE P. MITSIELL	PRODUCT SPEC SPEC. PRODUIT -	RESTRICTED TO RESERVE A -
FINISH FINITION SEE NOTES		APPLICATION SPEC SPEC. APPLICATION -	WEIGHT MASSE APPROX. 1250g	SIZE FORMAT A3
		CUSTOMER DRAWING /PLAN CLIENT	UNIQUEMENT POUR REFERENCE	SCALE ECHAPELLE
			DRAWING	SHEET FEUILLE
			OF DE	REV 

Printed on 5 Dec 2023 15:31 (Paris, Madrid) from E0000361