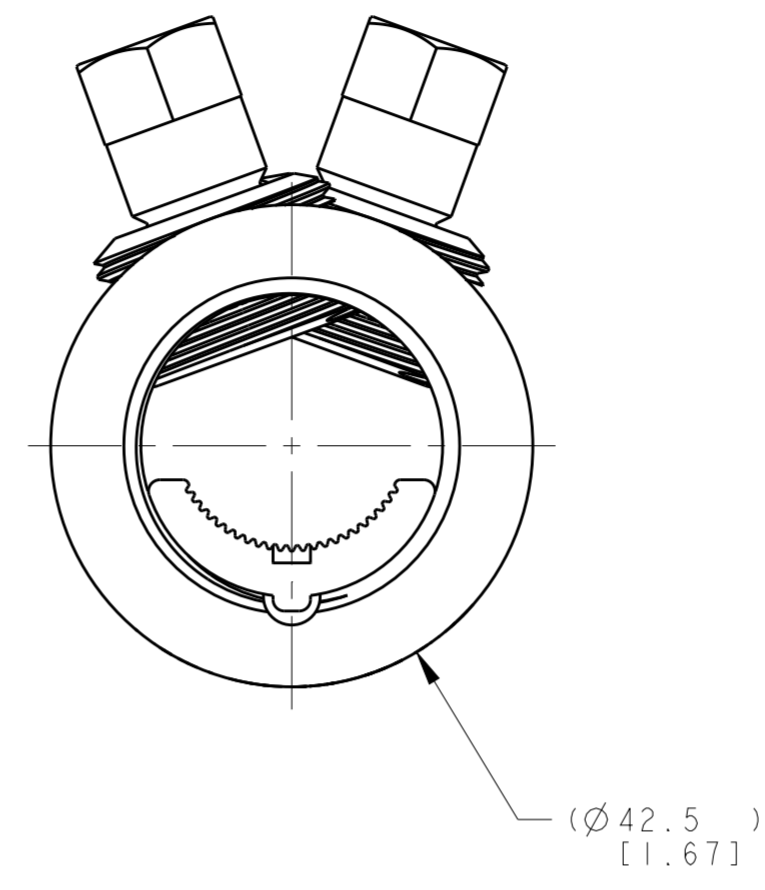
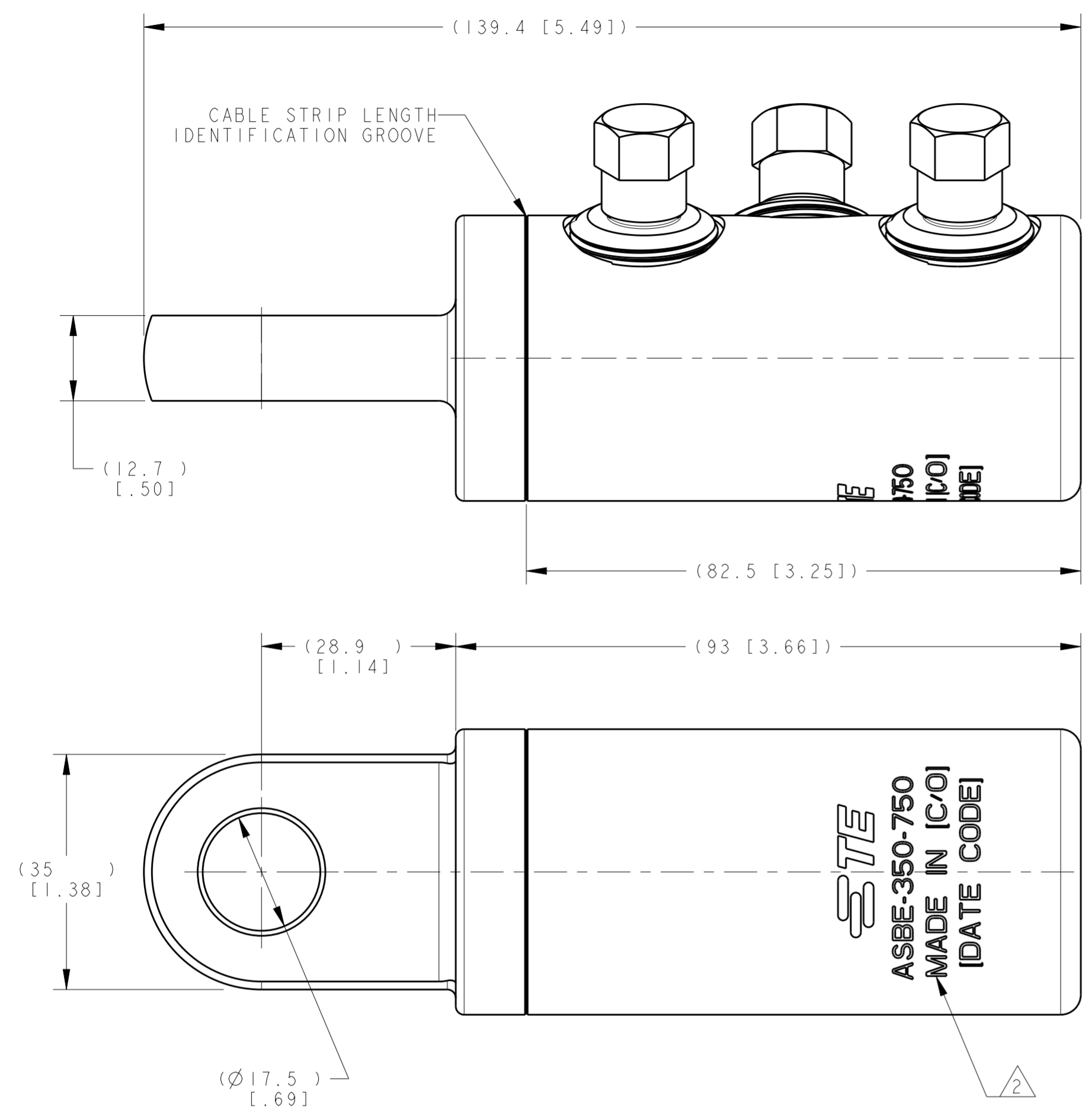


© 2020 TE Connectivity. All Rights Reserved.

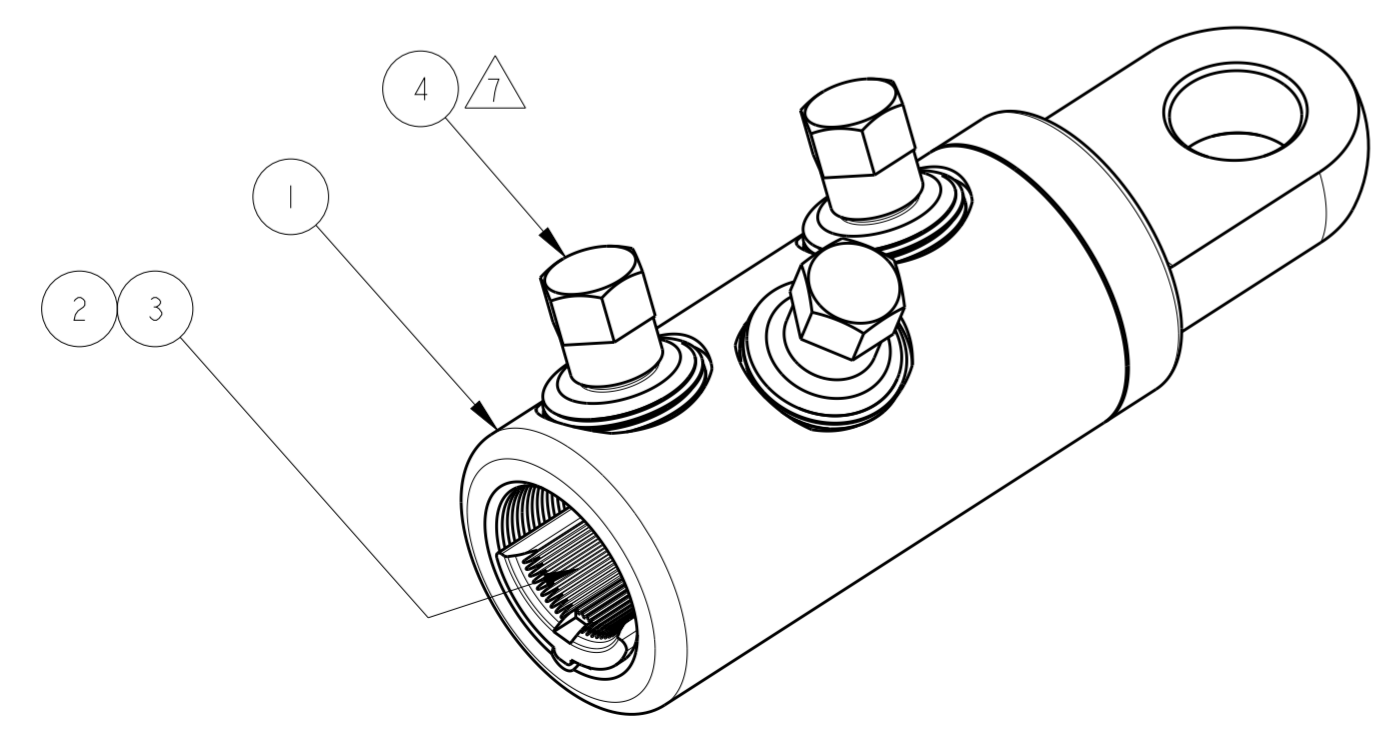
REVISIONS				
P	LTR	DESCRIPTION	DATE	APVD
A		INITIAL REL. PER LC20-0032-09	25AUG2009	DM BJ
B		LC20-0079-20 / ECO-20-011010	05AUG2020	DM BJ



- ACCOMMODATES:
350 KCMIL COMPACT STR (Ø15.7 [.616 DIA])
TO 750 KCMIL STD STR (Ø25.4 [.998 DIA])
ALUMINUM OR COPPER CONDUCTORS.
- MARKING:
STE
ASBE-350-750
MADE IN [COUNTRY OF ORIGIN]
[DATE CODE]
- ALL DIMENSIONS ARE FOR REFERENCE ONLY.
- INSERT SHALL BE REMOVED FOR CONDUCTOR SIZES GREATER THAN 600 KCMIL COMPACT STR (Ø20.7 [.813 DIA]).
- CONNECTOR CONTAINS FACTORY APPLIED ANTI-OXIDE INHIBITOR.
- FINISH:
ELECTRO-TIN PLATED.
- INSTALL BOLTS WITH 13 mm [1/2 inch] HEX SOCKET.

CP8820-000	ASBE-350-750	1099363-1
RPN	CATALOG NO	PART NO

QTY	DESCRIPTION	ITEM NO
1	INSTALLATION INSTRUCTION SHEET, 408-10315	6
1	ABRASIVE TAPE	5
3	BOLT, MULTI-SHEAR, M22 SIZE, ALUMINUM	4
A/R	INHIBITOR	3
1	INSERT, ALUMINUM ALLOY, 350 - 750 KCMIL, TIN PLATED	2
1	ELBOW CONNECTOR BODY, ALUMINUM ALLOY, 350-750 KCMIL, TIN PLATED	1



THIS DRAWING IS A CONTROLLED DOCUMENT.

DIMENSIONS: mm [INCH]	TOLERANCES UNLESS OTHERWISE SPECIFIED: 0 PLC ± 1 PLC ± 2 PLC ± 3 PLC ± 4 PLC ± ANGLES ± FINISH	DWN: 25AUG2009 CHK: D. MURUGIAH A. BULZA APVD: B. JOHNSON 01SEP2009 02SEP2009	NAME: SHEARBOLT ELBOW CONNECTOR, ALUM, 1 HOLE PAD, 350 KCMIL CPT TO 750 KCMIL STD
MATERIAL: SEE BOM	FINISH: SEE BOM	PRODUCT SPEC: - APPLICATION SPEC: - WEIGHT: -	SIZE: A2 CAGE CODE: 00779 DRAWING NO: C-1099363

CUSTOMER DRAWING SCALE NTS SHEET OF REV B