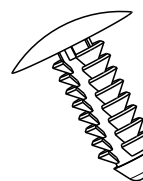
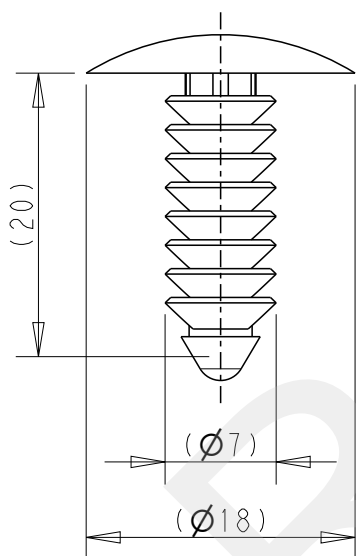
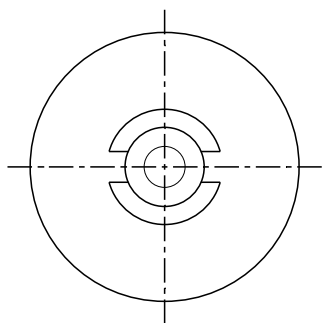
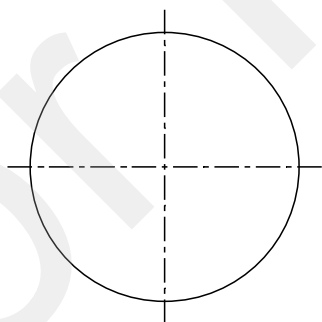


REVISIONS					
P	LTR	DESCRIPTION	DATE	DWN	APVD
	A	ORIGINAL RELEASE	09DEC2024	JM	LH



SCALE 1:1



© 2024 TE Connectivity. All Rights Reserved.

TCPN	DESCRIPTION	QTY	WEIGHT
607477-000	BCIC-LATCH	250	1g

DIMENSIONS: mm	DWN J MULLIGAN	09DEC2024	MATERIAL BLACK NYLON PA66	FINISH -
	CHK M JAMES	09DEC2024		
TOLERANCES UNLESS OTHERWISE SPECIFIED:	APVD I BOND	09DEC2024		
	0 PLC ±-	PRODUCT SPEC	-	SIZE A 4
1 PLC ±0.1	APPLICATION SPEC	-	CAGE CODE 00779	DRAWING NO C=WAP-BCIC-0149-C
2 PLC ±0.01	WEIGHT SEE TABLE	-	RESTRICTED TO -	
3 PLC ±0.001	CUSTOMER DRAWING	-	SCALE 2:1	SHEET 1 OF 1
4 PLC ±0.0001			REV A	
ANGLES ±-				