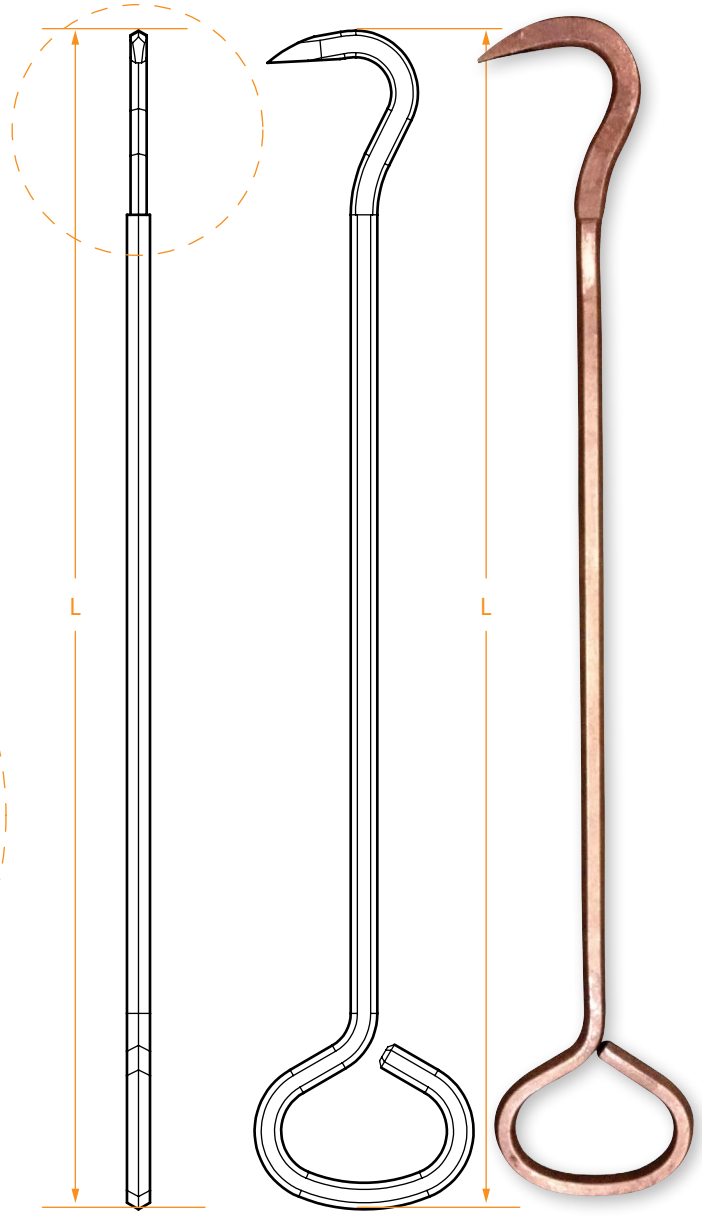
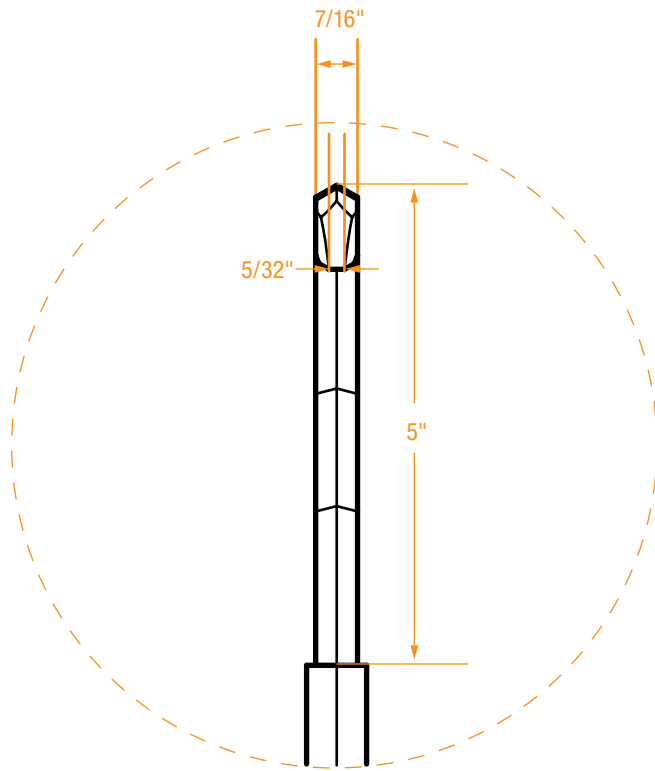


LIFTING HOOKS

RLH Series

- Made from hot-forged steel.
- Heat treated for a hard, durable tip.
- Lightly coated with rust preventative oil.
- The hook head is thinner than the shaft to fit into vault entrance covers.



| PART NUMBER | L |
|-------------|----|
| RLH-1 | 24 |
| RLH-2 | 28 |
| RLH-3 | 32 |
| RLH-4 | 36 |