

THIS DRAWING IS UNPUBLISHED.

RELEASED FOR PUBLICATION

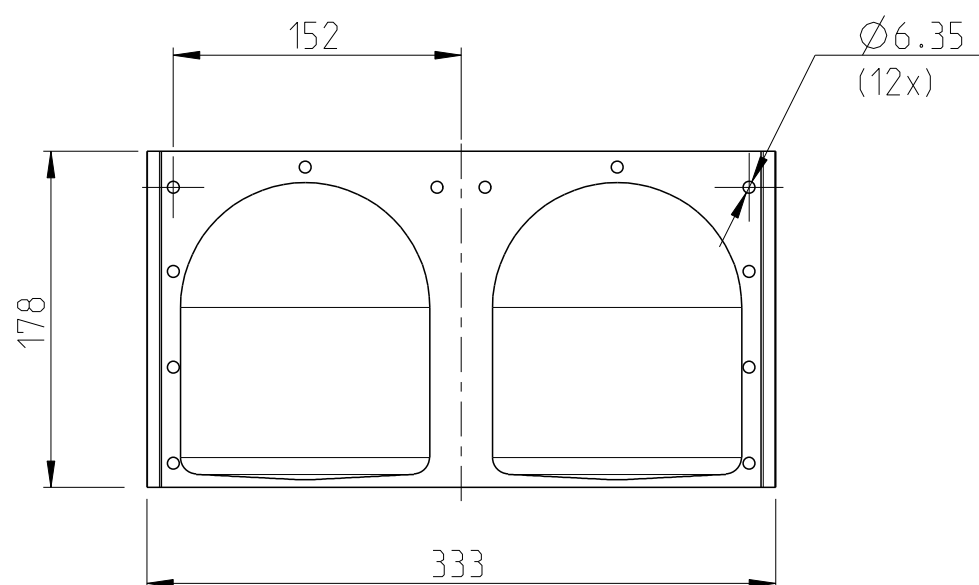
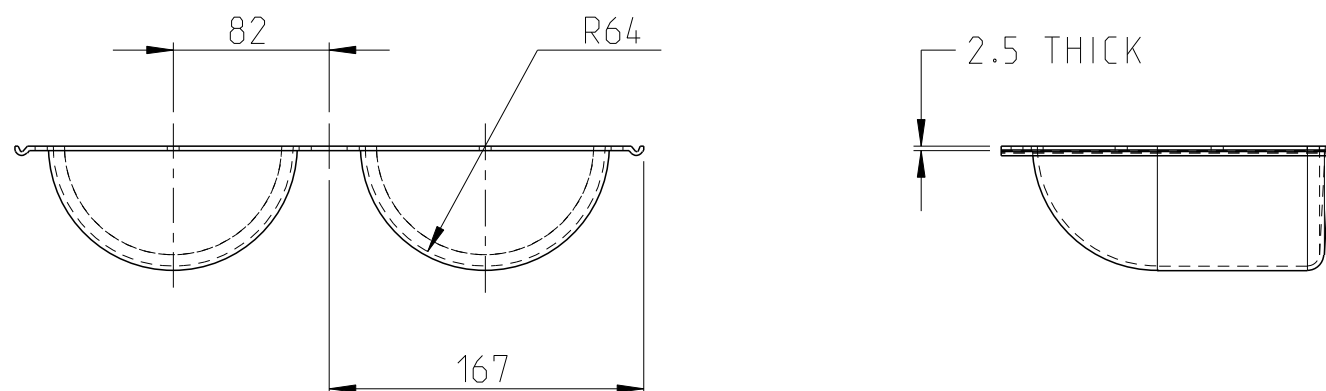
20

© COPYRIGHT 20 BY - TE CONNECTIVITY

ALL RIGHTS RESERVED.

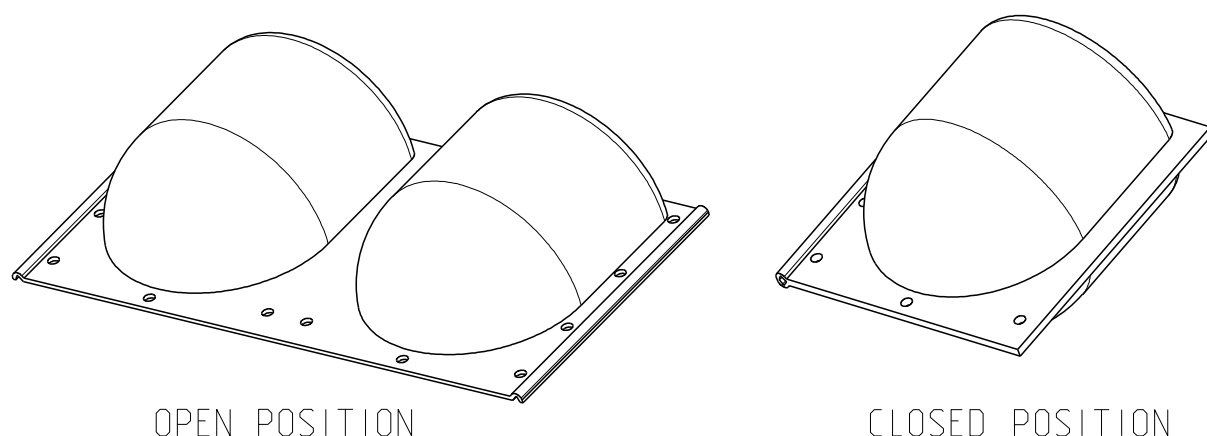
REVISIONS

P	LTR	DESCRIPTION	DATE	DWN	APVD
	D	NEW DRAWING	13MAR2015	KR	IB



NOTES:

1. MATERIAL: RAYCHEM RED BCIS SHEET
2. WALL THICKNES, 2MM MINIMUM
3. TOLERANCE +/- 3MM UNLESS OTHERWISE STATED
4. HOLES SHALL ALIGN WHEN CLOSED
5. EACH PART SHALL BE EMBOSSED OR STAMPED WITH THE TE CONNECTIVITY \ RAYCHEM PART DESCRIPTION AT LEAST 3MM HIGH: BCIC-5D/6



-	PC	18	BC IC -LATCH(B250)	2
Vacuum formed cover packed and nested in the open position	PC	3	BC IC -5D/6(B3)	1
NOTES	UOM	QTY.	PART DESCRIPTION	ITEM No.

THIS DRAWING IS A CONTROLLED DOCUMENT.		DWN RAGHU 13MAR2015														
DIMENSIONS: mm		CHK IAN BOND 13MAR2015														
TOLERANCES UNLESS OTHERWISE SPECIFIED:		APVD IAN BOND 13MAR2015														
<table border="1"> <tr><td>0 PLC</td><td>±-</td></tr> <tr><td>1 PLC</td><td>±0.1</td></tr> <tr><td>2 PLC</td><td>±0.01</td></tr> <tr><td>3 PLC</td><td>±0.001</td></tr> <tr><td>4 PLC</td><td>±0.0001</td></tr> <tr><td>ANGLES</td><td>±</td></tr> </table>		0 PLC	±-	1 PLC	±0.1	2 PLC	±0.01	3 PLC	±0.001	4 PLC	±0.0001	ANGLES	±	PRODUCT SPEC	NAME BC IC -5D/6(B3)	
0 PLC	±-															
1 PLC	±0.1															
2 PLC	±0.01															
3 PLC	±0.001															
4 PLC	±0.0001															
ANGLES	±															
MATERIAL TBD		APPLICATION SPEC	SIZE A3	CAGE CODE -												
FINISH -		WEIGHT -	DRAWING NO C-4-1194607-8													
-		Customer Drawing	RESTRICTED TO -	SCALE 3:10 SHEET 1 OF 1 REV D												