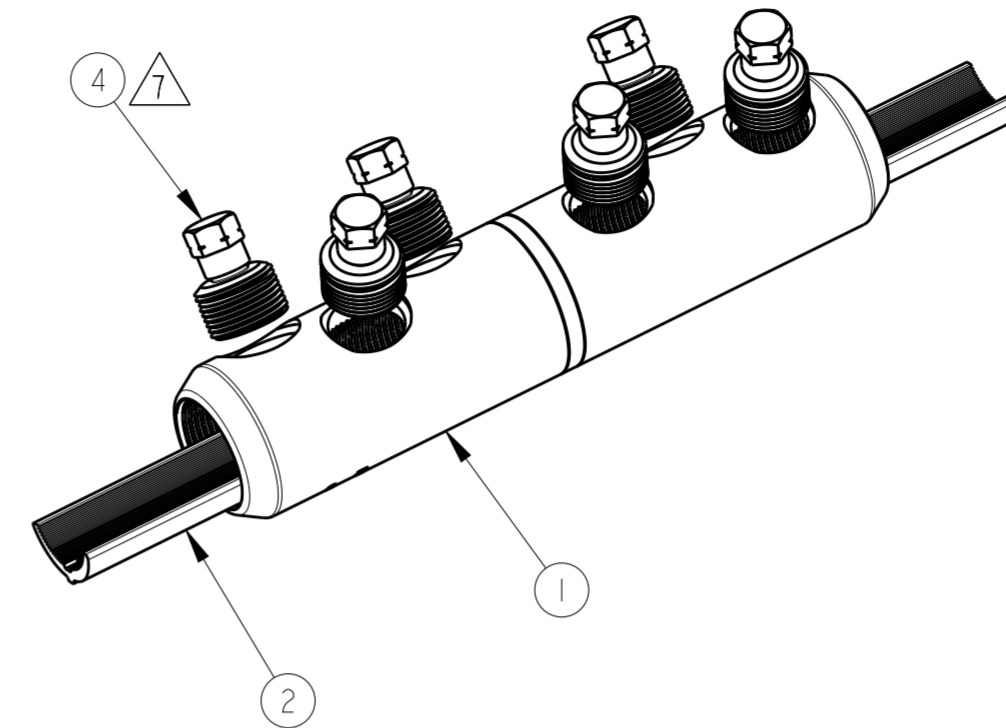
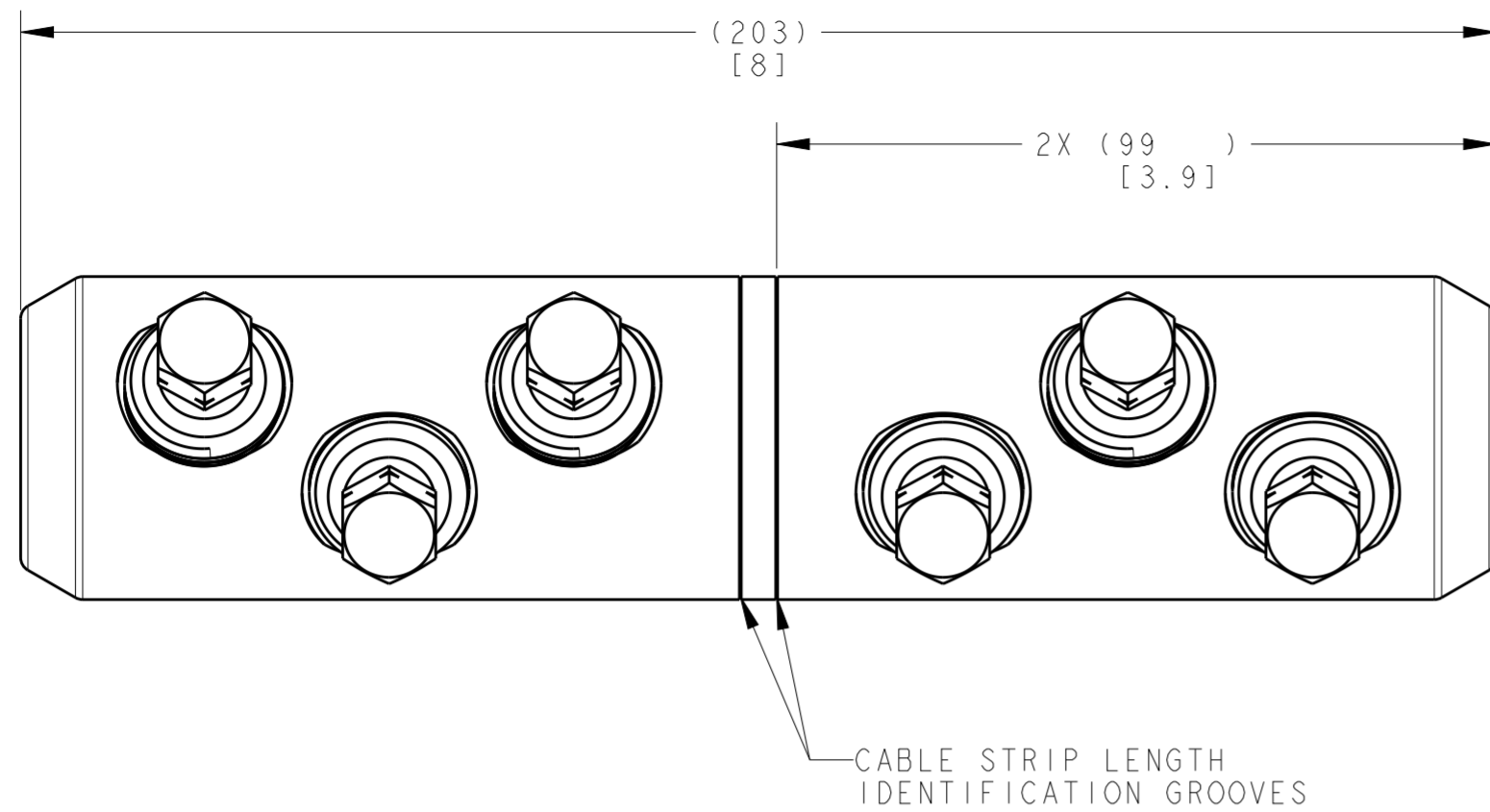


P	LTR	DESCRIPTION	DATE	DWN	APVD
F		LC20-0064-20 / ECO-20-009245	29JUN2020	DM	BJ



1. ACCOMMODATES:  
600 KCMIL TO 1000 KCMIL ALUMINUM  
OR COPPER CONDUCTORS.

MARKING:  
2

ASBS-600-1000  
MADE IN [COUNTRY OF ORIGIN]  
[DATE CODE]

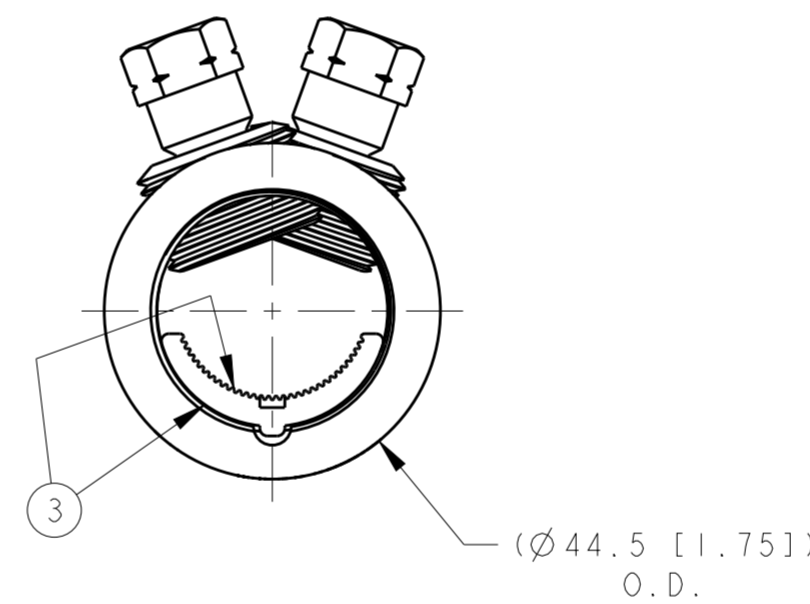
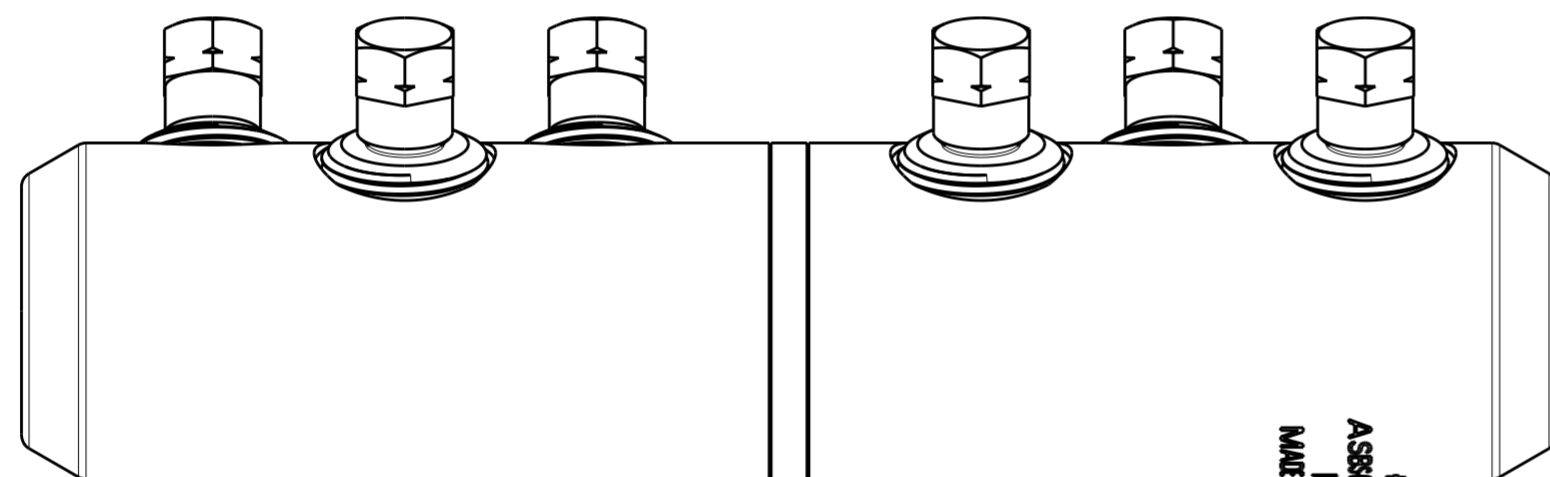
3. INSERT SHALL BE REMOVED FOR  
CONDUCTOR SIZES GREATER  
THAN 750 KCMIL STD STR  
(.998 [25.3] CONDUCTOR  
DIAMETER)

4. ALL DIMENSIONS ARE FOR REFERENCE ONLY.

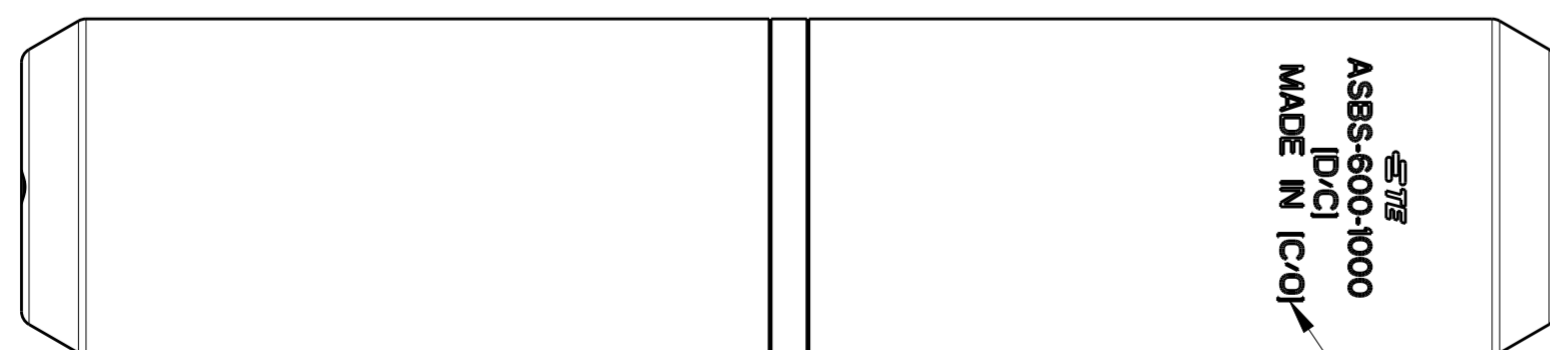
5. CONNECTOR CONTAINS FACTORY APPLIED  
ANTI-OXIDE INHIBITOR.

6. FINISH:  
ELECTRO-TIN PLATED.

7. INSTALL BOLTS WITH 13 mm OR ( 1/2" ) SOCKET.



ASBS-600-1000	1099848-1
CATALOG NO	PART NO



QTY	DESCRIPTION	ITEM NO
1	INSTALLATION INSTRUCTION SHEET, 408-8990	6
1	ABRASIVE TAPE, 1X24-120 G	5
6	BOLT, MULTI-SHEAR, M22 SIZE, ALUMINUM	4
A/R	INHIBITOR	3
2	INSERT, SHEARBOLT CONNECTOR, ALUMINUM, TIN PLATED	2
1	CONNECTOR SLEEVE BODY, ALUMINUM, TIN PLATED	1
-1		

THIS DRAWING IS A CONTROLLED DOCUMENT.

DWN D. ROBITALLE 20DEC2004	TE Connectivity	
CHK A. BULZA 14JAN2005		
APVD B. JOHNSON 17JAN2005		
DIMENSIONS: mm [INCHES]	TOLERANCES UNLESS OTHERWISE SPECIFIED:	NAME SHEARBOLT SLEEVE CONNECTOR, ALUM, SOLID OIL STOP, 600 KCMIL CPT TO 1000 KCMIL STD
0 PLC ±	1 PLC ±	SIZE A200779
1 PLC ±	2 PLC ±	CAGE CODE C-1099848
2 PLC ±	3 PLC ±	DRAWING NO
3 PLC ±	4 PLC ±	RESTRICTED TO
4 PLC ±	ANGLES ±	SCALE 1:2
FINISH SEE BOM	FINISH SEE BOM	SHEET OF
MATERIAL SEE BOM	FINISH SEE BOM	REV F