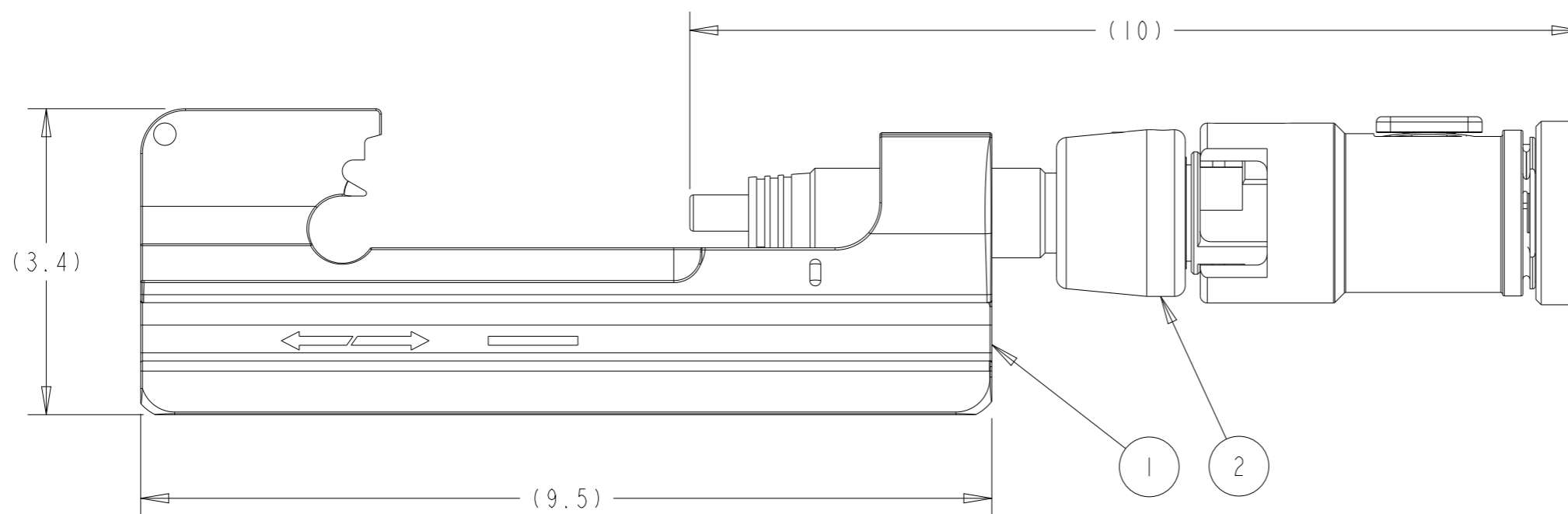
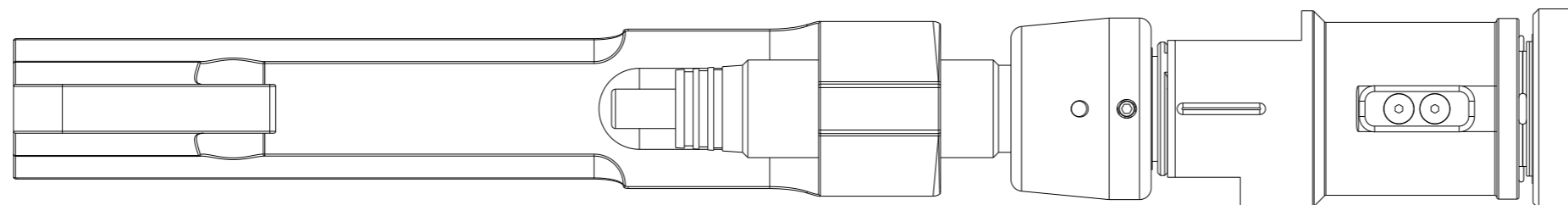
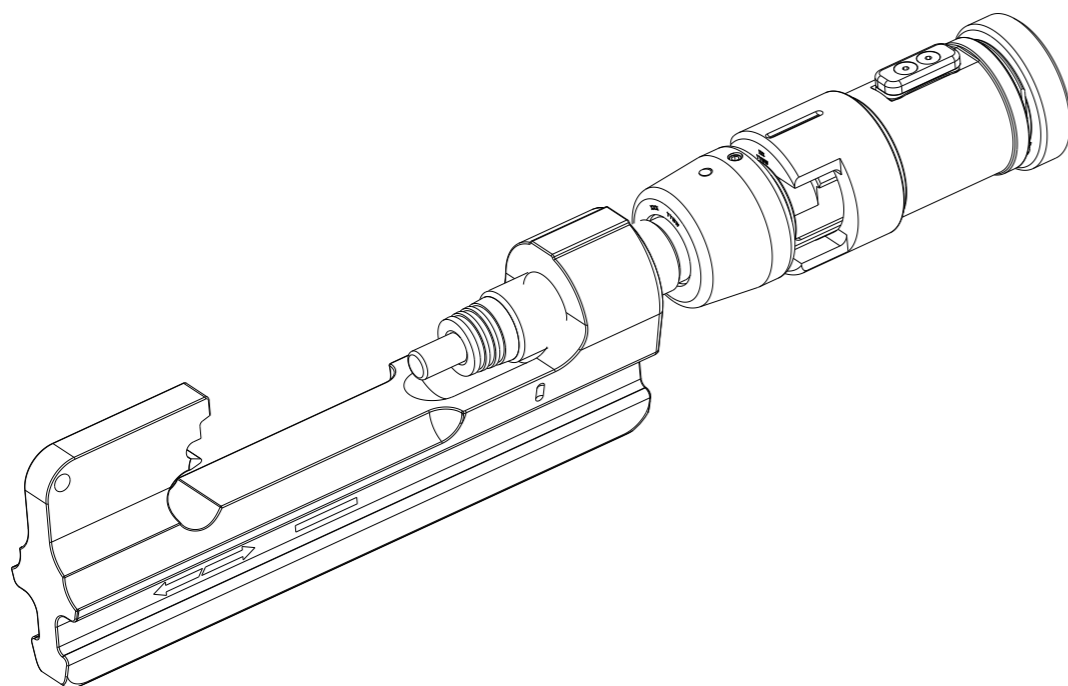


P	LTR	DESCRIPTION	DATE	DWN	APVD
B		LC20-0106-21 / ECN-21-122169	14OCT2021	DM	BJ
B1		ECN-23-233907	12OCT2023	JK	GP



1443414-1
PART NO.



1	EZ LOAD POWER UNIT	2
1	LARGE TOOL HEAD	1
-1	DESCRIPTION	ITEM NO
QTY	PARTS LIST	

THIS DRAWING IS A CONTROLLED DOCUMENT.

DIMENSIONS: INCH	TOLERANCES UNLESS OTHERWISE SPECIFIED: 0 PLC ± 1 PLC ± 2 PLC ± 3 PLC ± 4 PLC ± ANGLES ±	DWN 09 JUN 2004 D ROBITAILLE CHK 10 AUG 04 D LADIN APVD 16 AUG 04 B JOHNSON		NAME EZ LOAD POWER UNIT WITH LARGE TOOL HEAD, AMPACT		
MATERIAL	FINISH	PRODUCT SPEC -		APPLICATION SPEC -	RESTRICTED TO -	
		WEIGHT -	SIZE A3	CAGE CODE 00779	DRAWING NO C-1443414	
		CUSTOMER DRAWING	SCALE NTS	SHEET 1	OF 1	REV B1