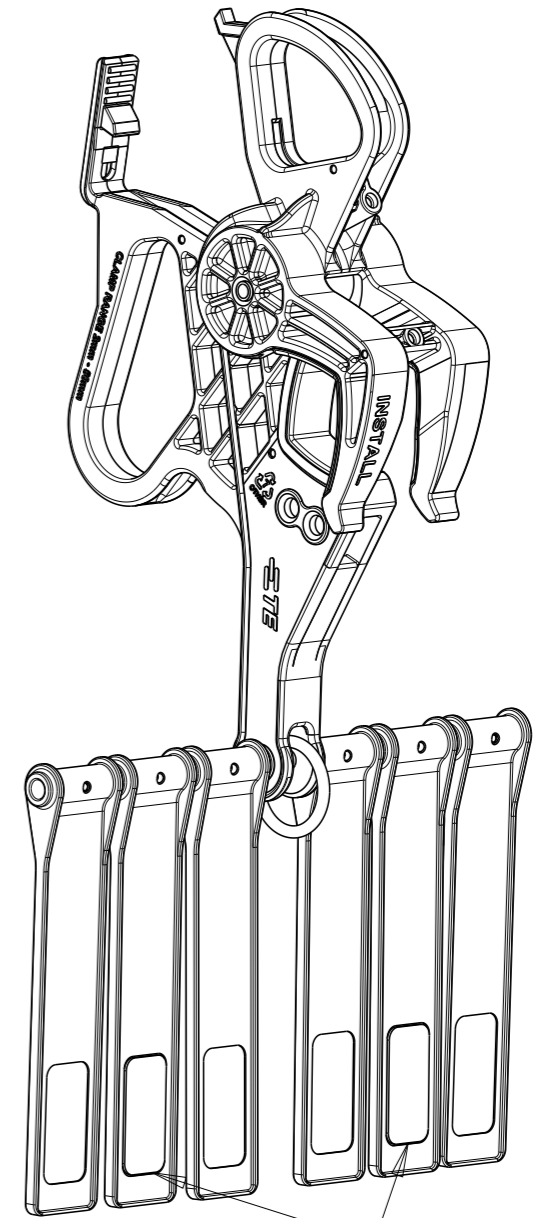
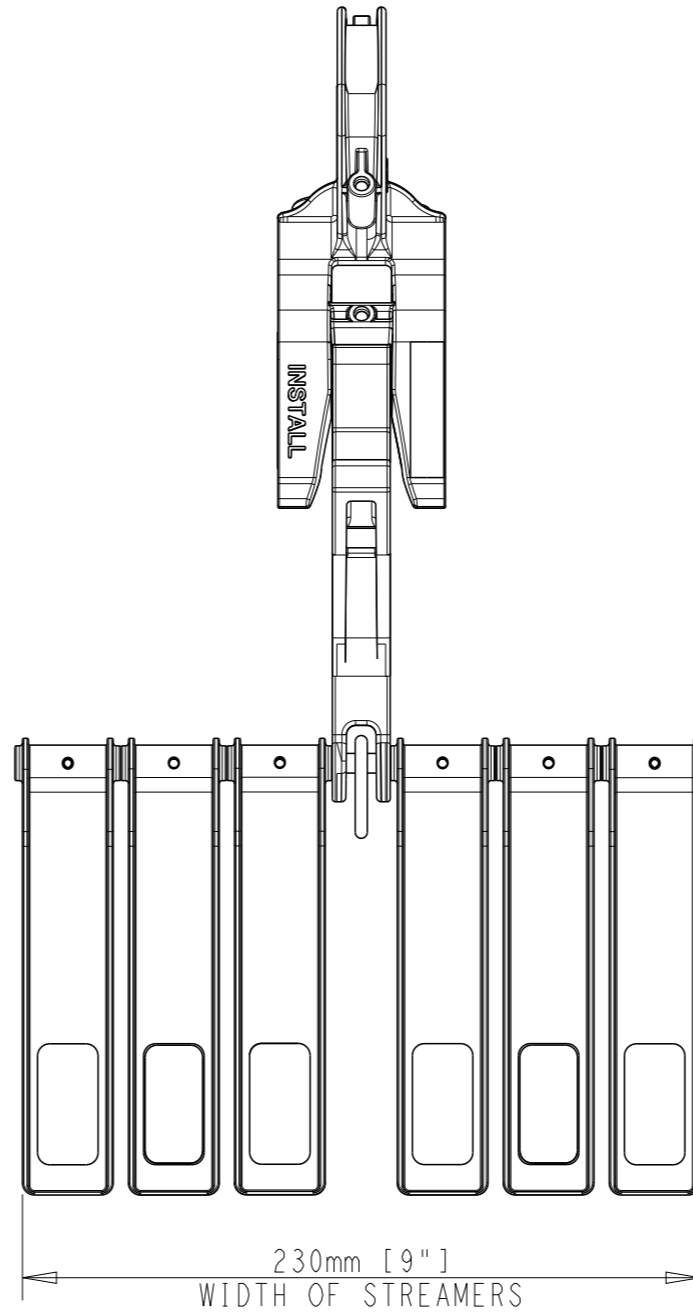
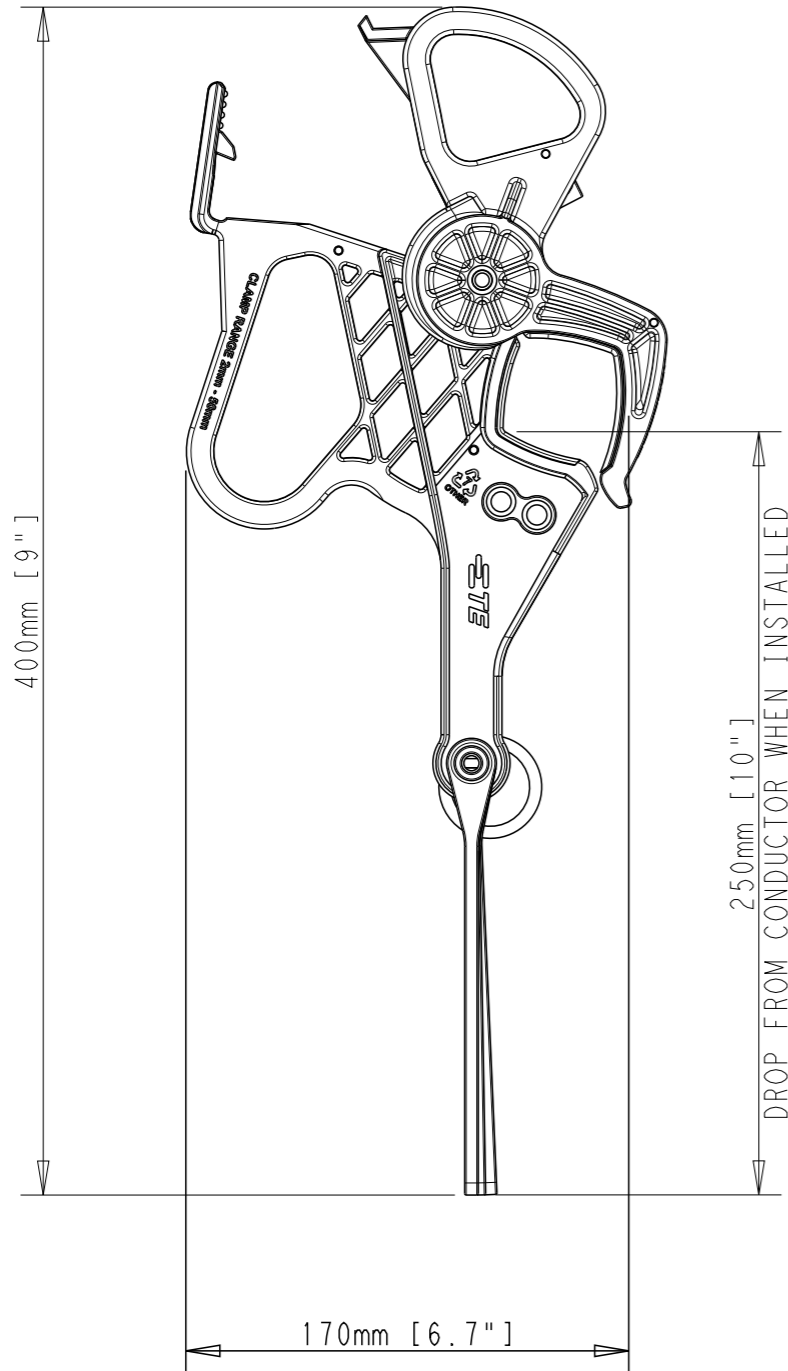



- NOTES:
1. EACH BOX LABELLED WITH DESCRIPTION, LOT NUMBER, PART NUMBER, MANUFACTURING DATE, WEIGHT AND QUANTITY.
 2. PARTS SHALL BE KITTED 10 PIECES PER BOX.
 3. EACH BOX ALSO CONTAINS 1 INSTALL INSTRUCTION PII-4522... (LATEST REV).
 4. SEE DATA SHEET EPP-4540-DDS... (LATEST REV) FOR FURTHER DETAILS.

REVISIONS

P	LTR	DESCRIPTION	DATE	DWN	APVD
	A	ORIGINAL RELEASE	19JAN2026	JM	-
	A1	ECN-26-369249	17FEB2026	JM	-



REFLECTIVE STRIPS ON BLACK STREAMERS ONLY (FRONT & BACK)

THIS DRAWING IS A CONTROLLED DOCUMENT.		DWN	06NOV2025		 TE Connectivity
		CHK	06NOV2025		
		APVD	06NOV2025		
DIMENSIONS:		PRODUCT SPEC		NAME	
mm	TOLERANCES UNLESS OTHERWISE SPECIFIED:	APPLICATION SPEC		AVFD-HCR(B10)	
	0 PLC ±-	WEIGHT		ET5955-000	
	1 PLC ±0.1	CUSTOMER DRAWING		SIZE	RESTRICTED TO
	2 PLC ±0.01			A3	-
	3 PLC ±0.001			CAGE CODE	DRAWING NO
	4 PLC ±0.0001			00779	WAP-AFD-0165-C
	ANGLES ±-			SCALE	SHEET
MATERIAL	FINISH			2:5	1 OF 1
-	-			REV	A1
-	-				