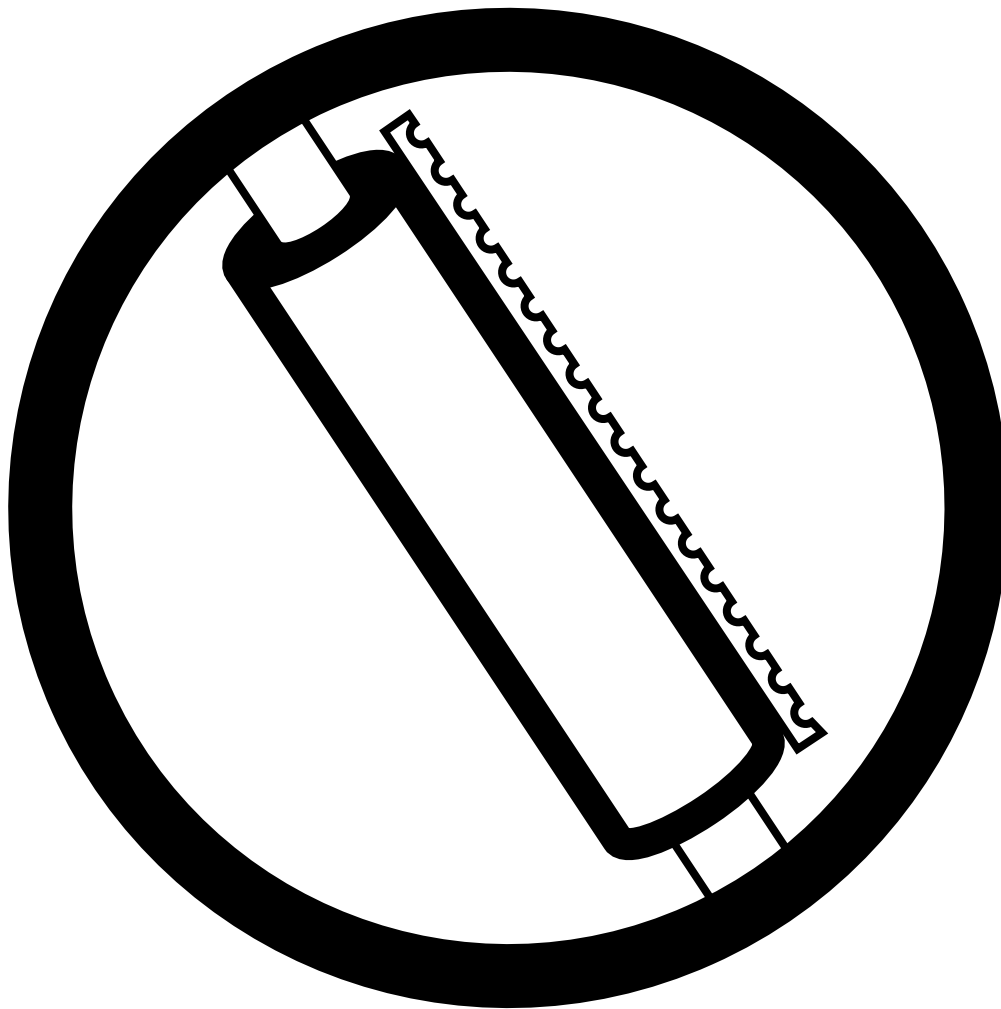


MBSM Cable Rejacketing Sleeve Outer Jacket Sheath Repair for Moisture Impervious Cables

Note: MBSM does not provide electrical insulation



General Instructions

Suggested Installation Equipment (not supplied with kit)

- Cable preparation tools
- Raychem P63 cable preparation kit or cable manufacturer approved solvent
- Clean, lint-free cloths
- Non-conducting abrasive cloth, 120 grit or finer
- Electrician's tape
- Connector(s) and installation tools
- Raychem recommended torch

Recommended Raychem Torches

Install heat-shrinkable cable accessories with a "clean burning" torch, i.e., a propane torch that does not deposit conductive contaminants on the product.

Clean burning torches include the Raychem FH-2609, FH-2629 (uses refillable propane cylinders) and FH-2618A1 (uses disposable cylinder).

Safety Instructions

Warning: When installing electrical power system accessories, failure to follow applicable personal safety requirements and written installation instructions could result in fire or explosion and serious or fatal injuries.

To avoid risk of accidental fire or explosion when using gas torches, always check all connections for leaks before igniting the torch and follow the torch manufacturer's safety instructions.

To minimize any effect of fumes produced during installation, always provide good ventilation of confined work spaces.

Adjusting the Torch

Adjust regulator and torch as required to provide an overall 12- inch bushy flame. The FH-2629 will be all blue, the other

torches will have a 3- to 4-inch yellow tip. Use the yellow tip for shrinking.

Regulator Pressure

FH-2618A1	Full pressure
FH-2609	5 psig
FH-2629	215 psig

Cleaning the Cable

Use an approved solvent, such as the one supplied in the P63 Cable Prep Kit, to clean the cable. Be sure to follow the manufacturer's instructions. Failure to follow these instructions could lead to product failure.

Some newer solvents do not evaporate quickly and need to be removed with a clean, lint-free cloth. Failure to do so could change the volume resistivity of the substrate or leave a residue on the surface.

Please follow the manufacturer's instructions carefully.

General Shrinking Instructions

- Apply outer 3- to 4-inch tip of the flame to heat-shrinkable material with a rapid brushing motion.
- Keep flame moving to avoid scorching.
- Unless otherwise instructed, start shrinking tube at center, working flame around all sides of the tube to apply uniform heat.

To determine if a tube has completely recovered, look for the following, especially on the back and underside of the tube:

1. Uniform wall thickness.
2. Conformance to substrate.
3. No flat spots or chill marks.
4. Visible sealant flow if the tube is coated.

Note: When installing multiple tubes, make sure that the surface of the last tube is still warm before positioning and shrinking the next tube. If installed tube has cooled, re-heat the entire surface.

1. Product selection.

Check kit selection with cable diameter dimension in Table 1.

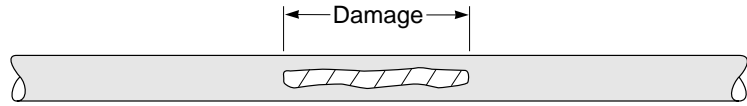
Note: MBSM does not provide electrical insulation

Table 1: Outer Jacket (Sheath) Repair and General Use

Kit	Diameter Range
MBSM-43/8	0.35-1.50" (9-38mm)
MBSM-75/15	0.65-2.65" (17-67mm)
MBSM-125/30	1.30-4.30" (33-110mm)
MBSM-160/42	1.80-5.70" (46-144mm)
MBSM-200/50	2.15-7.10" (55-180mm)

2. Determine the minimum length of MBSM needed.

Damage	+	Dimension A
Up to 12"		4" (100mm)
12" to 24"		6" (150mm)
Over 24"		8" (200mm)

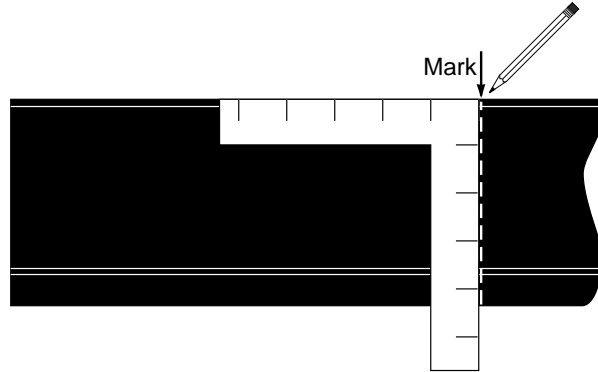


Cut Length of MBSM = Damage + Dimension A

244

3. Mark cut length of MBSM.

Lay the MBSM on a flat surface. Measure the required length of MBSM using a straight edge (preferably a square) and mark along the line to be cut. Cut-line must be as nearly square to the rails as practical.



245

4. Cut the MBSM to required length.

Cut the MBSM using tin snips or a sharp knife. Cut edges must be smooth, not jagged.

Note: If a knife is used, support the MBSM on a flat surface and use a straight edge guide.

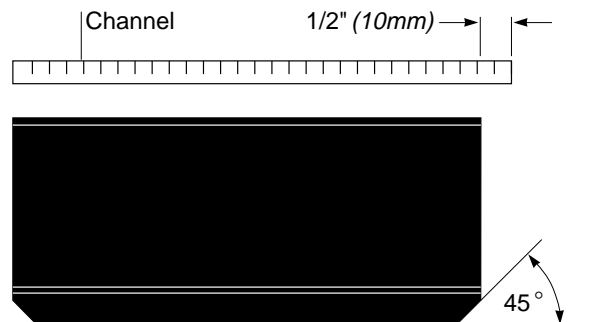


246

5. Trim flap; cut channel to length.

For neater installation, trim the overlap flap as shown.

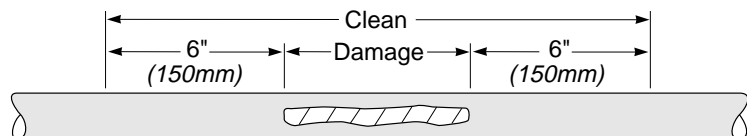
Cut or break the channel 1/2" (10mm) longer than the MBSM. Remove sharp corners and burrs from the channel. (If longer than one channel, lay end to end before measuring.)



247

6. Clean cable.

Using an approved solvent, clean and degrease the damaged area and the cable on either side of the damage as shown. Remove any sharp points from the area to be covered with MBSM.



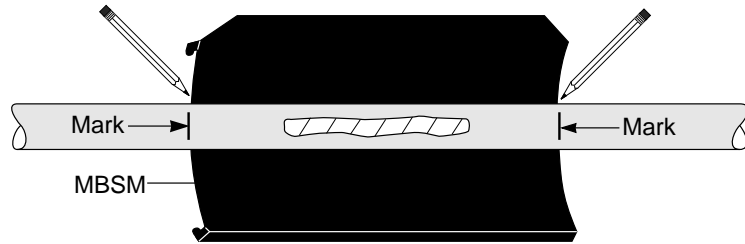
248

Installation Instructions

7. Center sleeve; mark cable.

Center sleeve over damaged area.
Mark the cable as shown.

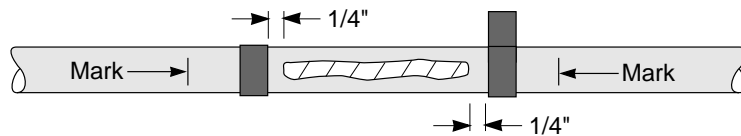
Remove the release paper from the MBSM.



250

8. Apply sealant.

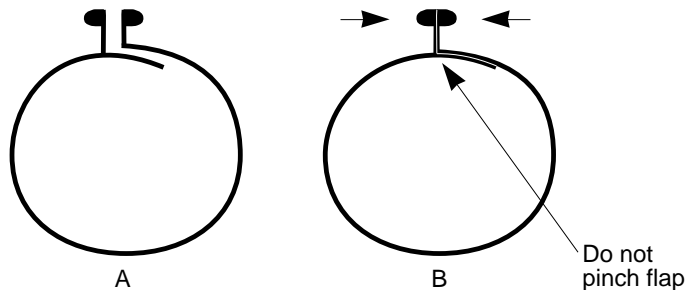
Apply one complete wrap of sealant 1/4" outside of the jacket damage area within the previously made marks.



250a

9. Position sleeve between cable marks.

Remove the plastic protective wrapper from the wraparound sleeve before installing. Center sleeve between cable marks and butt the rails together taking care to not pinch the flap where the two ends connect (see drawing).



250c

CHOICE 1

If only one channel is needed

Go to Step 10 below.

CHOICE 2

If two channels are needed

Go to Step 11.

10. If only one channel is needed, slide channel over rails.

Butt the rails together and slide the channel over the rails. Center sleeve between marks.

Note: Channel must extend beyond the sleeve edge as shown.

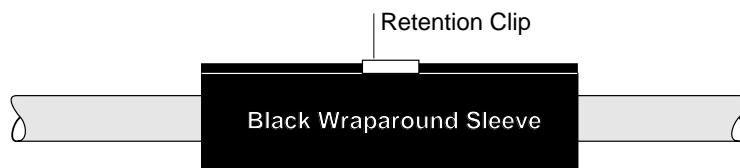
Skip to Step 13.



250b

11. If two channels are needed, install retention clip.

Slide metal retention clip onto the butted rails as shown.

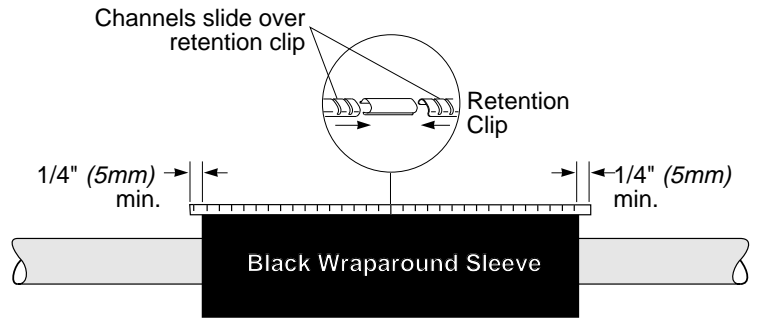


252m

Installation Instructions

12. Install channels.

Connect the two channels with the short channel retention clip as shown. Use pliers to install the clip.



13. Shrink the wraparound sleeve.

Preheat evenly along both sides of the rail/channel area until this area begins to shrink. Begin shrinking at the center of the sleeve and work toward each end. Apply heat until the sleeve is fully shrunk and the heat-sensitive paint is completely converted. Continue heating the rail/channel area for another 5 seconds per foot. A white line should be visible in the channel gaps indicating sufficient heating.

Note: Heat-sensitive paint will turn black as sleeve shrinks in place.

Splice is complete.

Note: Allow to cool before moving or placing in service.

